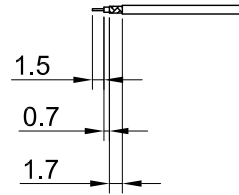
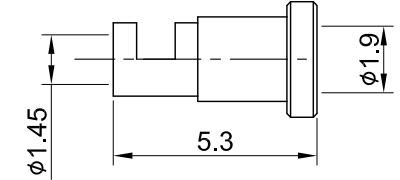
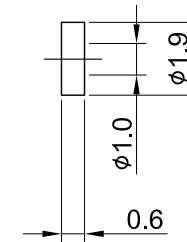
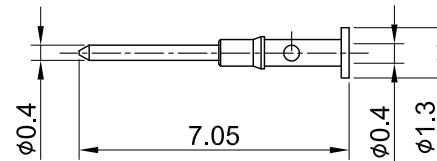
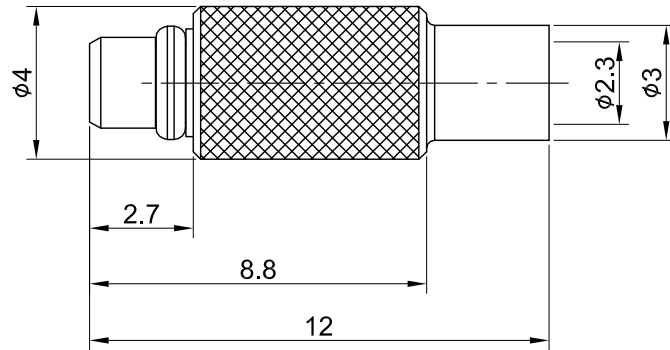


| REV  | DESCRIPTION                   | DATE       |
|------|-------------------------------|------------|
| 1.20 | NEW DRAWING FRAME             | 2023/06/29 |
| 1.30 | CORRECT INSULATION RESISTANCE | 2023/11/16 |



RECOMMENDED STRIP LENGTHS



MECHANICAL DATA  
TEMPERATURE RANGE : -65°C ~ + 165°C

ELECTRICAL DATA  
FREQUENCY RANGE: DC~6GHz  
IMPEDANCE : 50Ω  
VSWR : 1.3 MAX.  
WORKING VOLTAGE : AC 170V  
WITHSTANDING VOLTAGE : AC 500V  
INSULATION RESISTANCE : 1000 MΩ MIN

|    |             |          |        |      |
|----|-------------|----------|--------|------|
| 06 | FERRULE     | BRASS    | GOLD   | 1    |
| 05 | INSULATOR B | TEFLON   | NONE   | 1    |
| 04 | CENTER PIN  | BRASS    | GOLD   | 1    |
| 03 | BODY        | BRASS    | GOLD   | 1    |
| 02 | INSULATOR A | TEFLON   | NONE   | 1    |
| 01 | C-RING      | Be.Cu    | GOLD   | 1    |
| NO | DESCRIPTION | MATERIAL | FINISH | Q'TY |

| TITLE                              |  |                             |  |
|------------------------------------|--|-----------------------------|--|
| MMCX (M) st. crimp for RG178 cable |  |                             |  |
| DWG NO.                            |  | C05AA3F178003               |  |
| CUST. P/N:                         |  | N/A                         |  |
| DWG NO:                            |  | N/A                         |  |
| SHEET 1 of 1                       |  | Unit: mm                    |  |
| GENERAL TOLERANCES                 |  | DRAWN BY: Lottie 2023/11/16 |  |
| .X ±0.2                            |  | CHK'D BY: Kana 2023/11/16   |  |
| .XX ±0.2                           |  | REV.                        |  |
| .XXX ±0.2                          |  | DA2311140023                |  |
| ANGLES N/A                         |  | 1.30                        |  |

