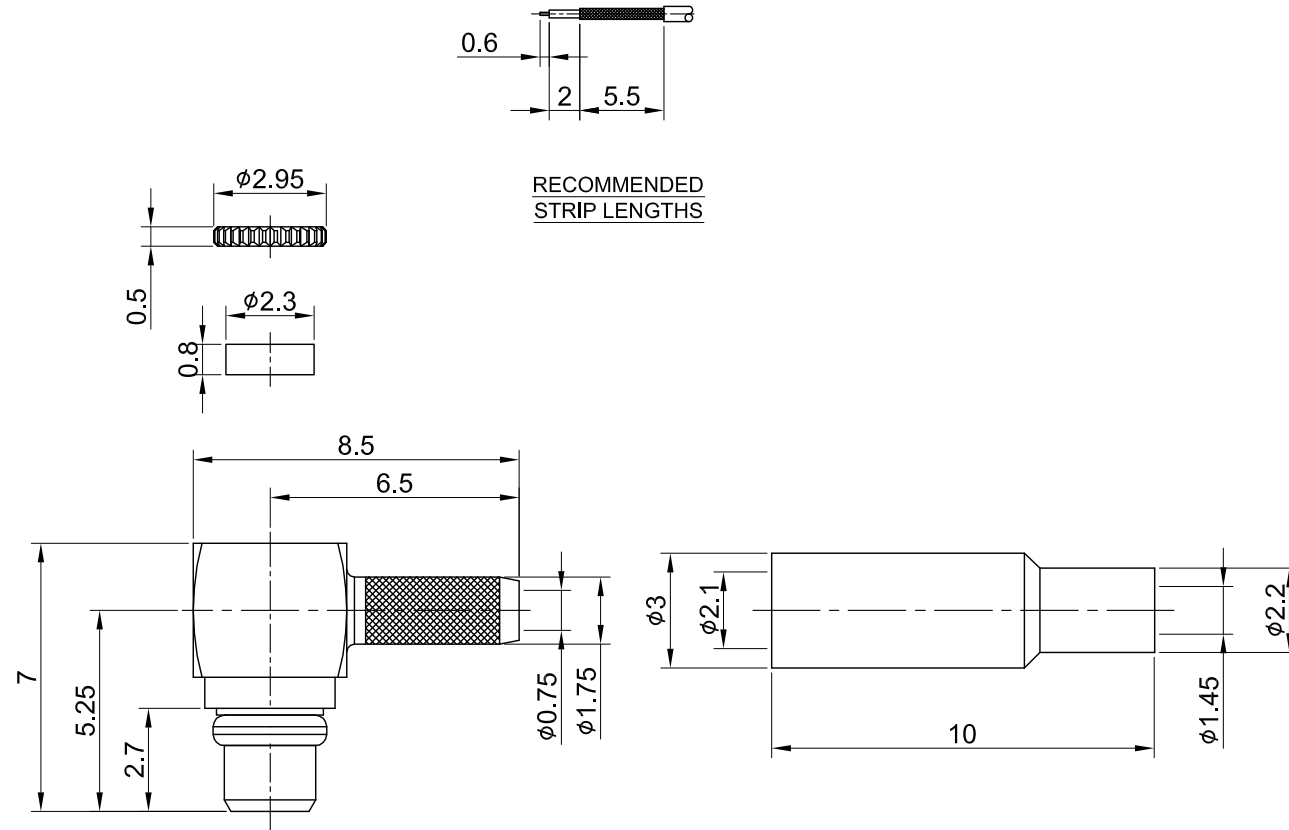


REV	DESCRIPTION	DATE
1.10	NEW DRAWING FRAME	2023/07/03
1.20	CORRECT INSULATION RESISTANCE	2023/11/16



MECHANICAL DATA
TEMPERATURE RANGE : -40°C ~ + 85°C

ELECTRICAL DATA
FREQUENCY RANGE: DC~6GHz
IMPEDANCE : 50Ω
VSWR : 1.3 MAX.
WORKING VOLTAGE : AC 170V
WITHSTANDING VOLTAGE : AC 500V
INSULATION RESISTANCE : 1000 MΩ MIN

NO	DESCRIPTION	MATERIAL	FINISH	Q'TY	TITLE														
07	FERRULE	BRASS	GOLD	1	MMCX(M) ra. for 1.32DS														
06	CENTER PIN	BRASS	GOLD	1	DWG NO. C05BA3F132D01														
05	C-RING	Be.Cu	GOLD	1	CUST. P/N: N/A DWG NO: N/A														
04	INSULATOR	TEFLON	NONE	1	<table border="0"> <tr> <td>GENERAL TOLERANCES</td> <td>DRAWN BY: Lottie</td> <td>2023/11/16</td> </tr> <tr> <td>.X ±0.2</td> <td>CHK'D BY: Kana</td> <td>2023/11/16</td> </tr> <tr> <td>.XX ±0.2</td> <td colspan="2" rowspan="2"> </td> </tr> <tr> <td>.XXX ±0.2</td> </tr> <tr> <td>ANGLES N/A</td> <td>DA2311150034</td> <td>REV. 1.20</td> </tr> </table>		GENERAL TOLERANCES	DRAWN BY: Lottie	2023/11/16	.X ±0.2	CHK'D BY: Kana	2023/11/16	.XX ±0.2			.XXX ±0.2	ANGLES N/A	DA2311150034	REV. 1.20
GENERAL TOLERANCES	DRAWN BY: Lottie	2023/11/16																	
.X ±0.2	CHK'D BY: Kana	2023/11/16																	
.XX ±0.2																			
.XXX ±0.2																			
ANGLES N/A	DA2311150034	REV. 1.20																	
03	BODY	BRASS	GOLD	1															
02	INSULATOR COVER	POM	NONE	1															
01	COVER	BRASS	GOLD	1															
NO	DESCRIPTION	MATERIAL	FINISH	Q'TY	SHEET 1 of 1	Unit: mm													