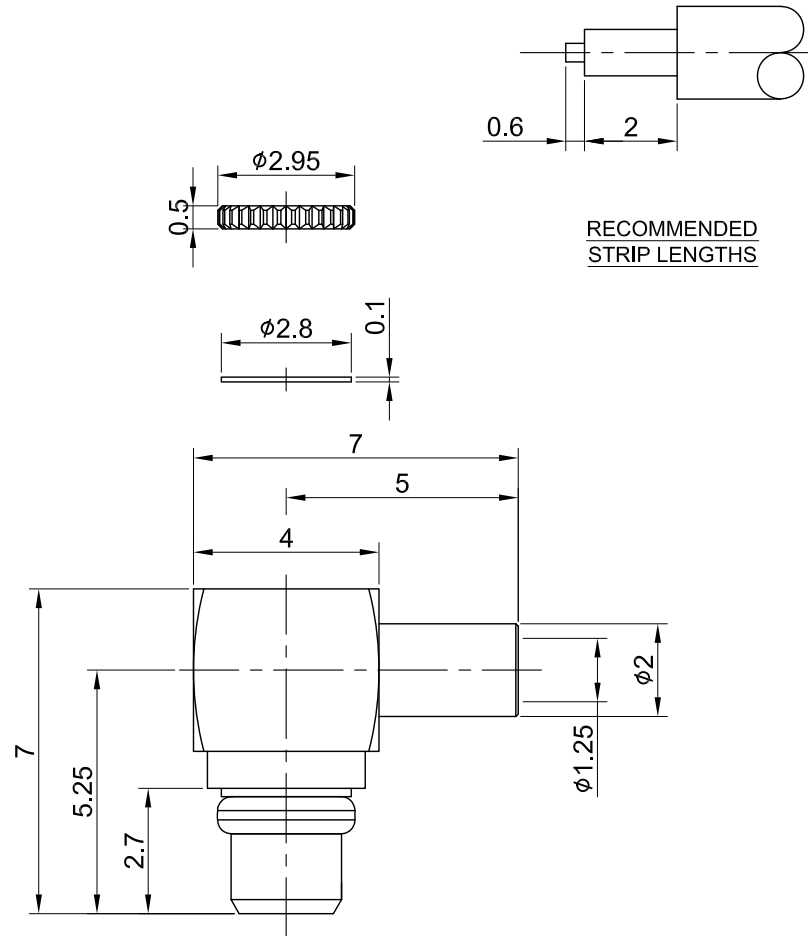


REV	DESCRIPTION	DATE
1.20	UPDATE INSULATOR COVER MATERIAL	2023/06/29
1.30	CORRECT INSULATION RESISTANCE	2023/11/15



RECOMMENDED STRIP LENGTHS

MECHANICAL DATA
TEMPERATURE RANGE : -40°C ~ + 85°C

ELECTRICAL DATA
FREQUENCY RANGE: DC~6GHz
IMPEDANCE : 50Ω
VSWR : 1.3 MAX.
WORKING VOLTAGE : AC 170V
WITHSTANDING VOLTAGE : AC 500V
INSULATION RESISTANCE : 1000 MΩ MIN

06	CENTER PIN	BRASS	GOLD	1
05	C-RING	Be.Cu	GOLD	1
04	INSULATOR B	TEFLON	NONE	1
03	BODY	BRASS	GOLD	1
02	INSULATOR A	PET	NONE	1
01	COVER	BRASS	GOLD	1
NO	DESCRIPTION	MATERIAL	FINISH	Q'TY

TITLE		DRAWN BY:		CHK'D BY:		REVISION	
MMCX(M) ra. solder for .047" semi cable		Lottie		Kana		REV.	
DWG NO. C05BA3F047004		2023/11/15		2023/11/15		1.30	
CUST. P/N: N/A DWG NO: N/A		GENERAL TOLERANCES .X ±0.2 .XX ±0.2 .XXX ±0.2 ANGLES N/A		DA2311140025			
SHEET 1 of 1	Unit: mm						

