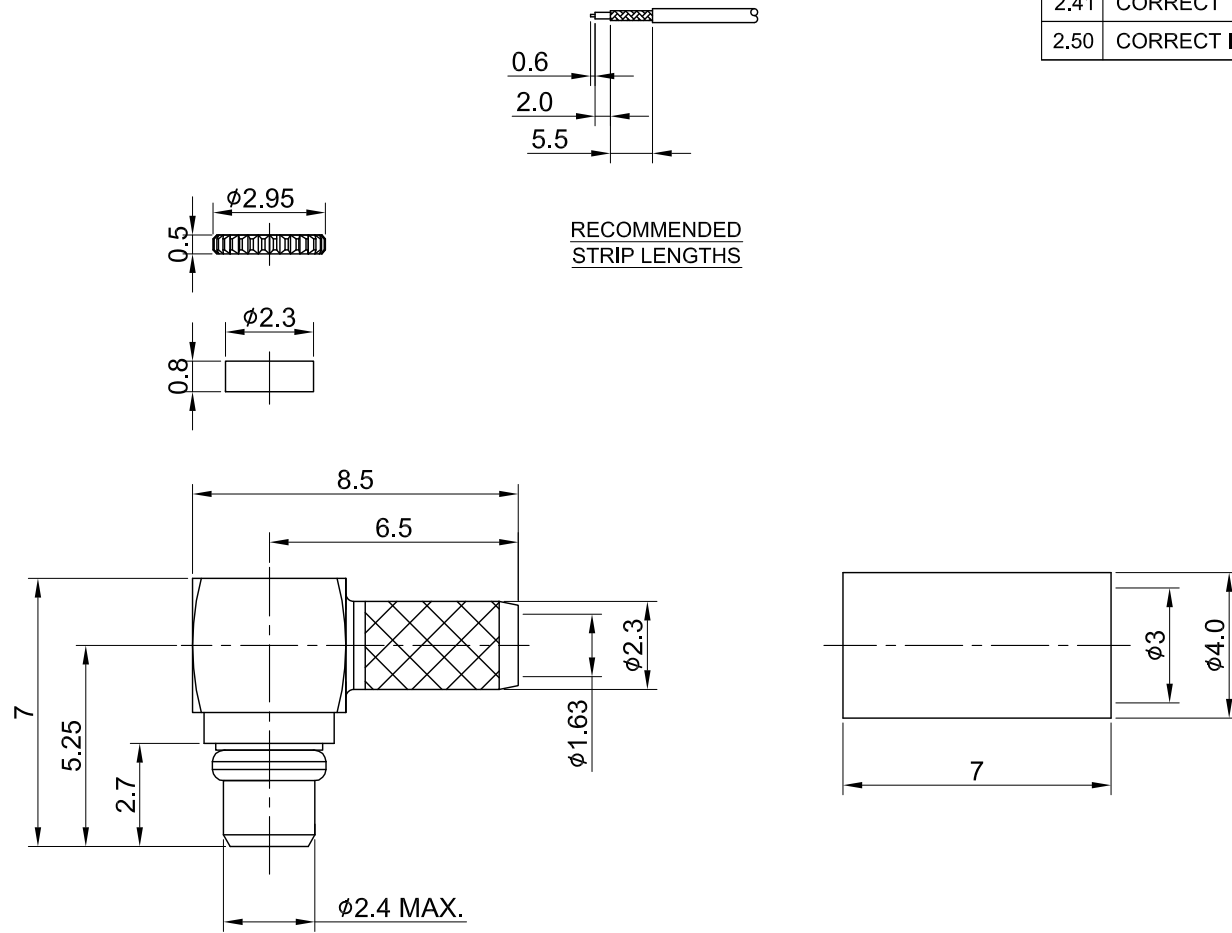


REV	DESCRIPTION	DATE
2.40	NEW DRAWING FRAME	2023/06/14
2.41	CORRECT TEMPERATURE RANGE	2023/07/03
2.50	CORRECT INSULATION RESISTANCE	2023/11/16



MECHANICAL DATA
TEMPERATURE RANGE : -40°C ~ + 85°C

DIELECTRICAL DATA
FREQUENCY RANGE: DC~6GHZ
IMPEDANCE : 50Ω
VSWR : 1.3 MAX.
WORKING VOLTAGE : AC 170V
WITHSTANDING VOLTAGE : AC 500V
INSULATION RESISTANCE : 1000 MΩ MIN

NO	DESCRIPTION	MATERIAL	FINISH	Q'TY	TITLE			
07	FERRULE	BRASS	GOLD	1	MMCX(M) ra. for RG174			
06	PIN	BRASS	GOLD	1	DWG NO. C05BA3F174001			
05	RING	Be.Cu	GOLD	1	CUST. P/N: N/A DWG NO: N/A		GENERAL TOLERANCES	
04	INSULATOR B	TEFLON	NONE	1			DRAWN BY: Lottie 2023/11/16	
03	BODY	BRASS	GOLD	1			CHK'D BY: Kana 2023/11/16	
02	INSULATOR A	POM	NONE	1			 REV.	
01	COVER	BRASS	GOLD	1			ANGLES N/A DA2311150035	
					SHEET	1 of 1	Unit: mm	2.50