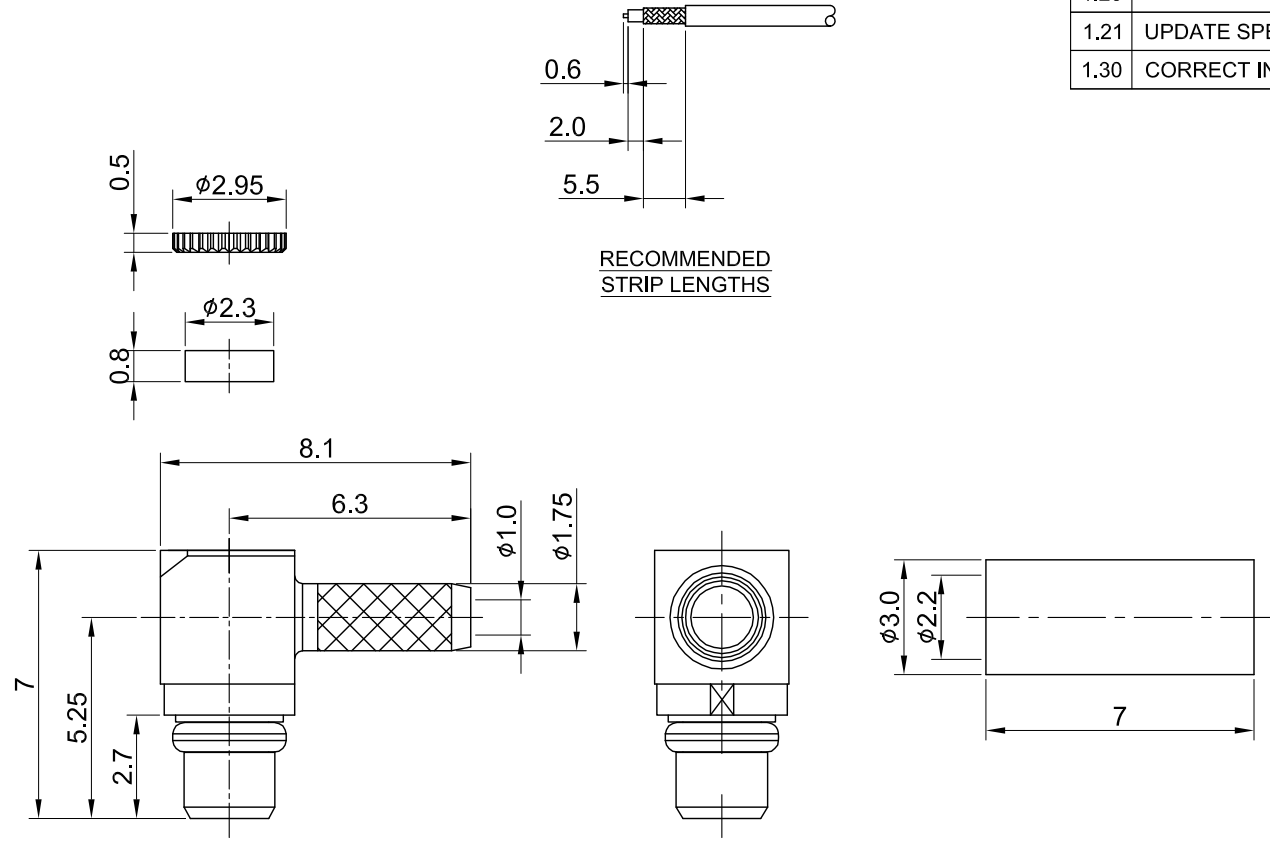


REV	DESCRIPTION	DATE
1.20	UPDATE TITLE, ADD NOTE	2023/05/15
1.21	UPDATE SPECIFICATIONS	2023/07/03
1.30	CORRECT INSULATION RESISTANCE	2023/11/16



RECOMMENDED STRIP LENGTHS

MECHANICAL DATA  
TEMPERATURE RANGE : -40°C ~ + 85°C

DIELECTRICAL DATA  
FREQUENCY RANGE: DC~6GHz  
IMPEDANCE : 50Ω  
VSWR : 1.5 MAX.  
WORKING VOLTAGE : AC 170V  
WITHSTANDING VOLTAGE : AC 500V  
INSULATION RESISTANCE : 1000 MΩ MIN

NOTE  
1. Narrow body can go thru chassis has thickness 3.0mm MAX. and hole ID 6.0mm MIN.  
(可穿過機構板厚3.0mm MAX. 機構內孔6.0mm MIN.)

07	FERRULE	BRASS	GOLD	1
06	PIN	BRASS	GOLD	1
05	RING	Be.Cu	GOLD	1
04	INSULATOR B	TEFLON	NONE	1
03	BODY	BRASS	GOLD	1
02	INSULATOR A	POM	NONE	1
01	COVER	BRASS	GOLD	1
NO	DESCRIPTION	MATERIAL	FINISH	Q'TY

TITLE		DRAWN BY:		CHK'D BY:		REVISION	
MMCX(M) ra. crimp type for 1.37/RG178, narrow body		Lottie	2023/11/17	Kana	2023/11/17	REV.	1.30
DWG NO. C05BA3F178001D		DRAWN BY: Lottie 2023/11/17		CHK'D BY: Kana 2023/11/17		REV. 1.30	
CUST. P/N: N/A DWG NO: N/A		DRAWN BY: Lottie 2023/11/17		CHK'D BY: Kana 2023/11/17		REV. 1.30	
SHEET 1 of 1 Unit: mm		DRAWN BY: Lottie 2023/11/17		CHK'D BY: Kana 2023/11/17		REV. 1.30	



GENERAL TOLERANCES		DRAWN BY:		CHK'D BY:		REVISION	
.X	±0.2	Lottie	2023/11/17	Kana	2023/11/17	REV.	1.30
.XX	±0.2	DRAWN BY: Lottie 2023/11/17		CHK'D BY: Kana 2023/11/17		REV. 1.30	
.XXX	±0.2	DRAWN BY: Lottie 2023/11/17		CHK'D BY: Kana 2023/11/17		REV. 1.30	
ANGLES	N/A	DRAWN BY: Lottie 2023/11/17		CHK'D BY: Kana 2023/11/17		REV. 1.30	