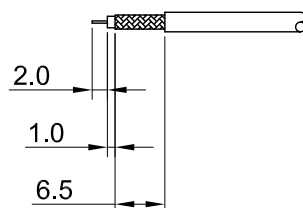
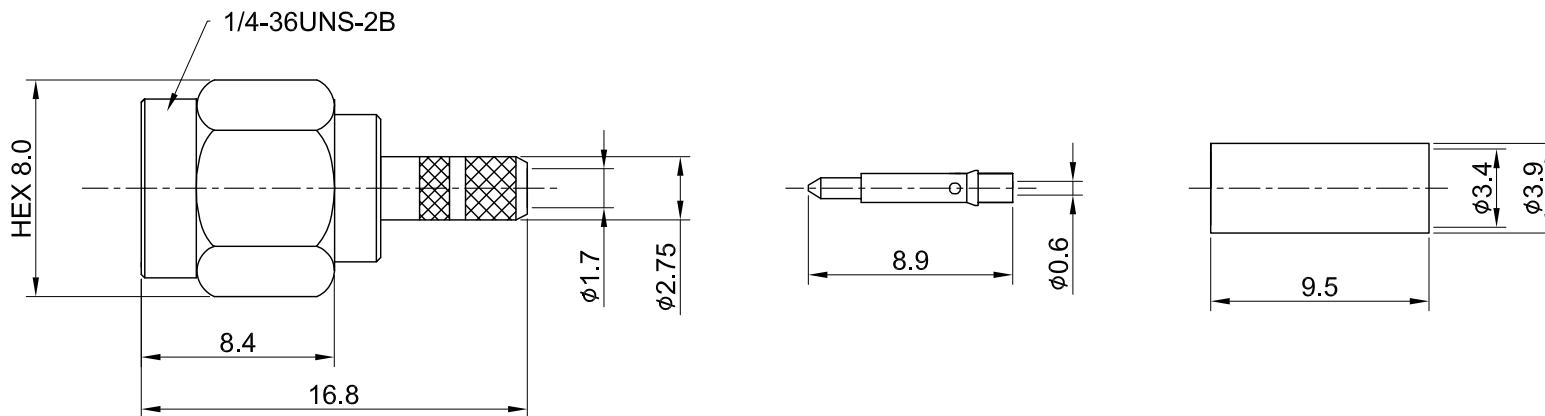


REV	DESCRIPTION	DATE
1.10	NEW DRAWING FRAME	2023/07/06
1.11	CORRECT INSULATION RESISTANCE	2024/01/05



RECOMMENDED STRIP LENGTHS



MECHANICAL DATA
TEMPERATURE RANGE : -65°C ~ + 165°C

ELECTRICAL DATA
FREQUENCY RANGE: DC~6GHZ
IMPEDANCE : 50Ω
VSWR : 1.3 MAX.
WORKING VOLTAGE : AC 375V
WITHSTANDING VOLTAGE : AC 750V
INSULATION RESISTANCE : 5000 MΩ MIN

06	FERRULE	BRASS	GOLD	1
05	INNER RETAINING RING	Be Cu	NONE	1
04	GASKET	SILICONE RUBBER	NONE	1
03	INSULATOR	TEFLON	NONE	1
02	PIN	BRASS	GOLD	1
01	BODY	BRASS	GOLD	1
NO	DESCRIPTION	MATERIAL	FINISH	Q'TY

TITLE
SMA Straight Plug Crimp for LMR100/CFD100/NFC100 cable

DWG NO.
C01AA31L10004A

CUST.
P/N: N/A
DWG NO: N/A

SHEET 1 of 1 Unit: mm



GENERAL TOLERANCES		DRAWN BY: Lottie 2024/01/05	
.X	±0.2	CHK'D BY: Kelly	2024/01/05
.XX	±0.2		REV.
.XXX	±0.2		1.11
ANGLES	N/A	DA2312220013	