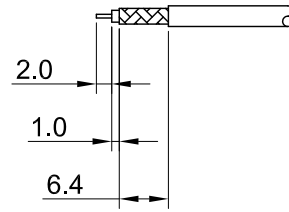
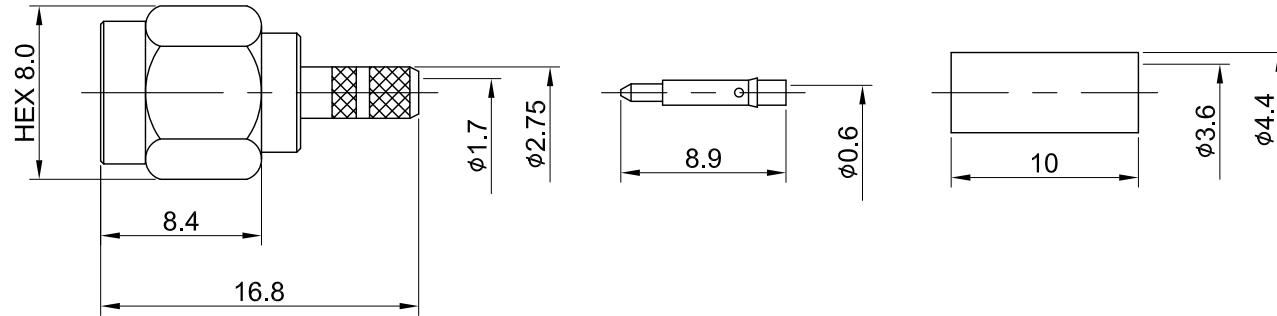


REV	DESCRIPTION	DATE
1.30	NEW DRAWING FRAME	2023/07/25
1.31	CORRECT INSULATION RESISTANCE UNIT	2023/12/15



RECOMMENDED STRIP LENGTHS



MECHANICAL DATA  
TEMPERATURE RANGE : -65°C ~ + 165°C

ELECTRICAL DATA  
FREQUENCY RANGE: DC~6GHz  
IMPEDANCE : 50Ω  
VSWR : 1.3 MAX.  
WORKING VOLTAGE : AC 375V  
WITHSTANDING VOLTAGE : AC 750V  
INSULATION RESISTANCE : 5000 MΩ MIN

06	FERRULE	BRASS	GOLD	1
05	INNER RETAINING RING	Be.Cu	NONE	1
04	GASKET	SILICONE RUBBER	NONE	1
03	PIN	BRASS	GOLD	1
02	INSULATOR	TEFLON	NONE	1
01	BODY	BRASS	GOLD	1
NO	DESCRIPTION	MATERIAL	FINISH	Q'TY

TITLE		DRAWN BY:		CHK'D BY:		REVISION	
SMA(M) st. crimp type for RD316		Kelly	2023/12/15	Chili	2023/12/15	REV. 1.31	
DWG NO. C01AA31316D04A		DRAWN BY: Kelly 2023/12/15		CHK'D BY: Chili 2023/12/15		REV. 1.31	
CUST. P/N: N/A DWG NO: N/A		DRAWN BY: Kelly 2023/12/15		CHK'D BY: Chili 2023/12/15		REV. 1.31	
SHEET 1 of 1 Unit: mm		DRAWN BY: Kelly 2023/12/15		CHK'D BY: Chili 2023/12/15		REV. 1.31	



GENERAL TOLERANCES		DRAWN BY:		CHK'D BY:		REVISION	
.X	±0.2	Kelly	2023/12/15	Chili	2023/12/15	REV. 1.31	
.XX	±0.2						
.XXX	±0.2						
ANGLES	N/A						