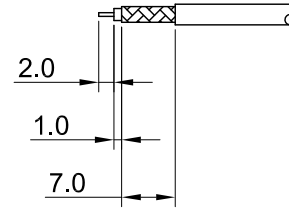
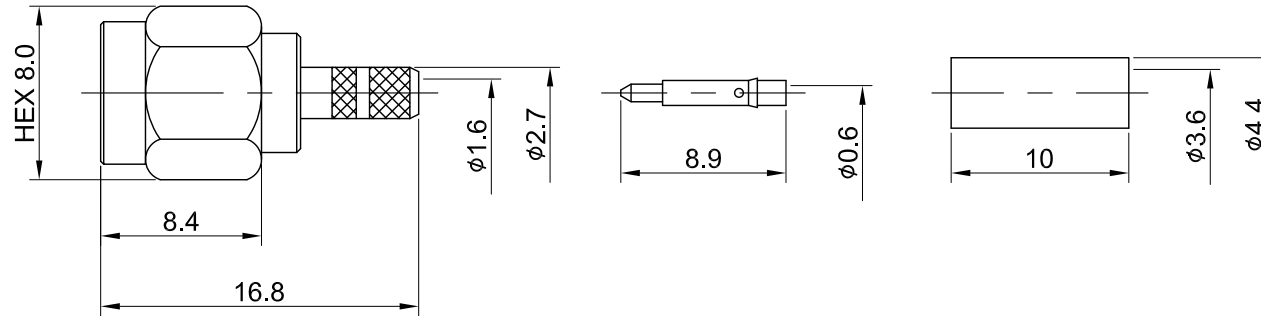


REV	DESCRIPTION	DATE
1.10	NEW DRAWING FRAME	2023/07/25
1.11	CORRECT INSULATION RESISTANCE UNIT	2023/12/15



RECOMMENDED STRIP LENGTHS



MECHANICAL DATA  
TEMPERATURE RANGE : -65°C ~ + 165°C

ELECTRICAL DATA  
FREQUENCY RANGE: DC~12.4GHz  
IMPEDANCE : 50Ω  
VSWR : 1.3 MAX.  
WORKING VOLTAGE : AC 335V  
WITHSTANDING VOLTAGE : AC 1000V  
INSULATION RESISTANCE : 5000 MΩ MIN

07	FERRULE	BRASS	GOLD	1
06	C-RING	Be.Cu	NONE	1
05	GASKET	SILICONE RUBBER	NONE	1
04	INSULATOR	TEFLON	NONE	1
03	PIN	BRASS	GOLD	1
02	SHELL	BRASS	GOLD	1
01	BODY	BRASS	GOLD	1
NO	DESCRIPTION	MATERIAL	FINISH	Q'TY

TITLE		DRAWN BY: Kelly		2023/12/15	
SMA(M) st. crimp type for RD316, 12.4GHz		CHK'D BY: Chili		2023/12/15	
DWG NO. C01AA31316D04A-4		REVISION		REV. 1.11	
CUST. P/N: N/A DWG NO: N/A		GENERAL TOLERANCES		DA2312150011	
SHEET 1 of 1 Unit: mm		.X ±0.2 .XX ±0.2 .XXX ±0.2 ANGLES N/A			

