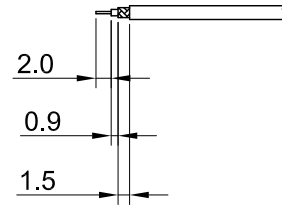
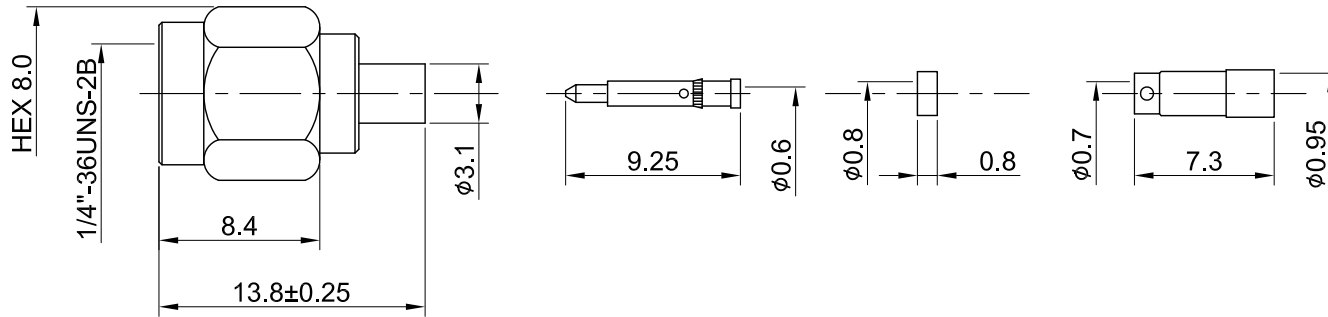


REV	DESCRIPTION	DATE
2.10	NEW DRAWING FRAME	2023/06/20
2.11	CORRECT INSULATION RESISTANCE	2023/12/18



RECOMMENDED STRIP LENGTHS



MECHANICAL DATA  
TEMPERATURE RANGE : -65°C ~ + 165°C

ELECTRICAL DATA  
FREQUENCY RANGE: DC~6GHz  
IMPEDANCE : 50Ω  
VSWR : 1.3 MAX.  
WORKING VOLTAGE : AC 170V  
WITHSTANDING VOLTAGE : AC 500V  
INSULATION RESISTANCE : 5000 MΩ MIN

07	INSULATOR B	TEFLON	NONE	1
06	SLEEVE	BRASS	NICKEL	1
05	INNER RETAINING RING	Be.Cu	NONE	1
04	GASKET	SILICONE RUBBER	RED	1
03	INSULATOR A	TEFLON	NONE	1
02	PIN	BRASS	GOLD	1
01	BODY	BRASS	GOLD	1
NO	DESCRIPTION	MATERIAL	FINISH	Q'TY

TITLE		DRAWN BY:							
SMA(M) st FOR 0.81		Lottie	2023/12/18						
DWG NO. C01AA31081004		CHK'D BY: Una	2023/12/18						
CUST. P/N: N/A DWG NO: N/A		<table border="1"> <tr> <td>GENERAL TOLERANCES</td> <td>ANGLES</td> </tr> <tr> <td>.X ±0.2</td> <td>.XX ±0.2</td> </tr> <tr> <td>.XXX ±0.2</td> <td>N/A</td> </tr> </table>		GENERAL TOLERANCES	ANGLES	.X ±0.2	.XX ±0.2	.XXX ±0.2	N/A
GENERAL TOLERANCES	ANGLES								
.X ±0.2	.XX ±0.2								
.XXX ±0.2	N/A								
SHEET 1 of 1	Unit: mm	DA2312140002	REV. 2.11						

