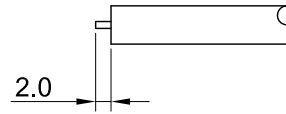
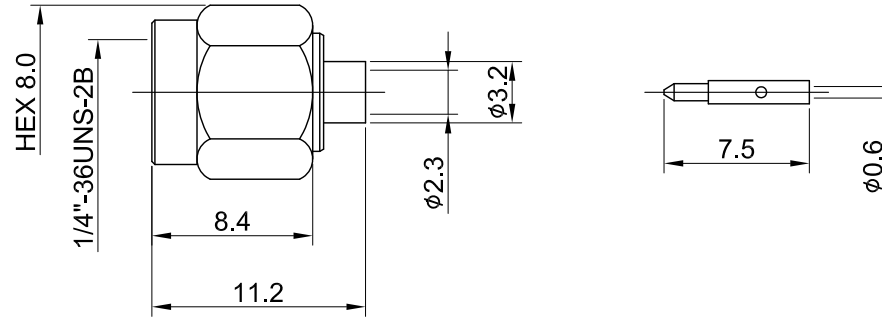


REV	DESCRIPTION	DATE
1.10	NEW DRAWING FRAME	2023/06/21
1.11	CORRECT INSULATION RESISTANCE UNIT	2023/11/30



RECOMMENDED
STRIP LENGTHS



MECHANICAL DATA
TEMPERATURE RANGE : -65°C ~ + 165°C

ELECTRICAL DATA
FREQUENCY RANGE: DC~18GHz
IMPEDANCE : 50Ω
VSWR : 1.3 MAX.
WORKING VOLTAGE : AC 500V
WITHSTANDING VOLTAGE : AC 1000V
INSULATION RESISTANCE : 5000 MΩ MIN

06	CONTACT	BRASS	GOLD	1
05	GASKET	SILICONE RUBBER	NONE	1
04	C- RING	Be.Cu	NONE	1
03	INSULATOR	PTFE	NONE	1
02	SHELL	BRASS	GOLD	1
01	BODY	BRASS	GOLD	1
NO	DESCRIPTION	MATERIAL	FINISH	Q'TY

TITLE		DRAWN BY:		CHK'D BY:	
SMA(M) st. solder for RG405/.085" semi cable(18GHz)		Kelly	2023/11/30	Eileen	2023/11/30
DWG NO. C01AA31085004B-3		CUST. P/N: N/A DWG NO: N/A			
SHEET 1 of 1		Unit: mm		GENERAL TOLERANCES .X ±0.2 .XX ±0.2 .XXX ±0.2 ANGLES N/A	
		DA2311300016		REV. 1.11	