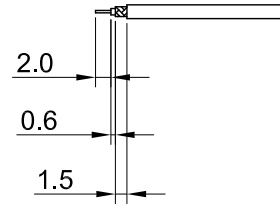
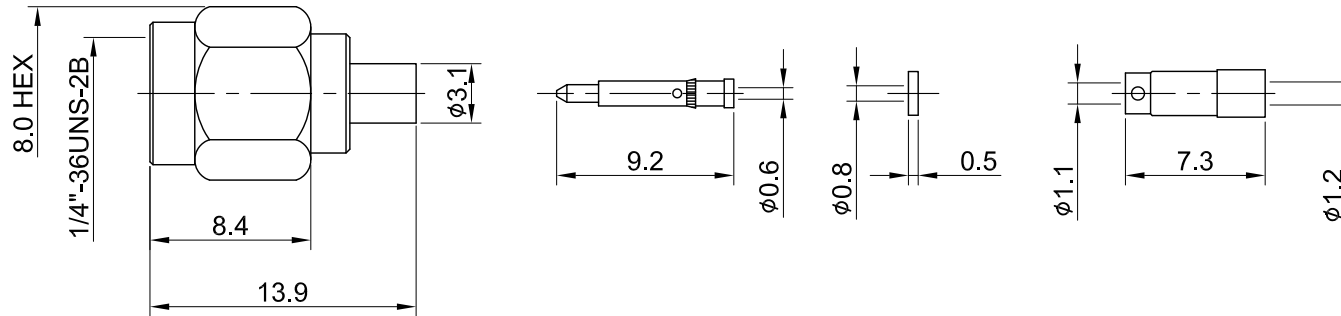


REV	DESCRIPTION	DATE
1.10	NEW DRAWING FRAME	2023/06/21
1.11	CORRECT INSULATION RESISTANCE	2023/12/18



RECOMMENDED STRIP LENGTHS



MECHANICAL DATA
TEMPERATURE RANGE : -65°C ~ + 165°C

ELECTRICAL DATA
FREQUENCY RANGE: DC~12.4GHz
IMPEDANCE : 50Ω
VSWR : 1.3 MAX.
WORKING VOLTAGE : AC170V
WITHSTANDING VOLTAGE : AC 500V
INSULATION RESISTANCE : 5000 MΩ MIN

08	CONTACT	BRASS	GOLD	1	TITLE SMA(M) st. for 1.13, 12.4GHz																
07	FERRULE	BRASS	NICKEL	1																	
06	SHELL	BRASS	GOLD	1																	
05	INSULATOR B	TEFLON	NONE	1	DWG NO. C01AA31113004-1																
04	C-RING	Be.Cu	NONE	1	CUST. P/N: N/A DWG NO: N/A																
03	GASKET	SILICONE RUBBER	NONE	1																	
02	INSULATOR A	TEFLON	NONE	1																	
01	BODY	BRASS	GOLD	1	<table border="0"> <tr> <td>GENERAL TOLERANCES</td> <td>DRAWN BY: Lottie</td> <td>2023/12/18</td> </tr> <tr> <td>.X ±0.2</td> <td>CHK'D BY: Una</td> <td>2023/12/18</td> </tr> <tr> <td>.XX ±0.2</td> <td></td> <td></td> </tr> <tr> <td>.XXX ±0.2</td> <td></td> <td></td> </tr> <tr> <td>ANGLES N/A</td> <td></td> <td></td> </tr> </table>		GENERAL TOLERANCES	DRAWN BY: Lottie	2023/12/18	.X ±0.2	CHK'D BY: Una	2023/12/18	.XX ±0.2			.XXX ±0.2			ANGLES N/A		
GENERAL TOLERANCES	DRAWN BY: Lottie	2023/12/18																			
.X ±0.2	CHK'D BY: Una	2023/12/18																			
.XX ±0.2																					
.XXX ±0.2																					
ANGLES N/A																					
NO	DESCRIPTION	MATERIAL	FINISH	Q'TY	SHEET 1 of 1	Unit: mm															



DA2312140009	REV. 1.11
--------------	--------------