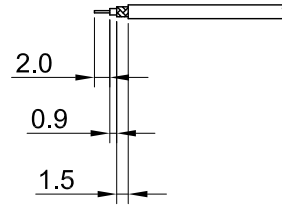
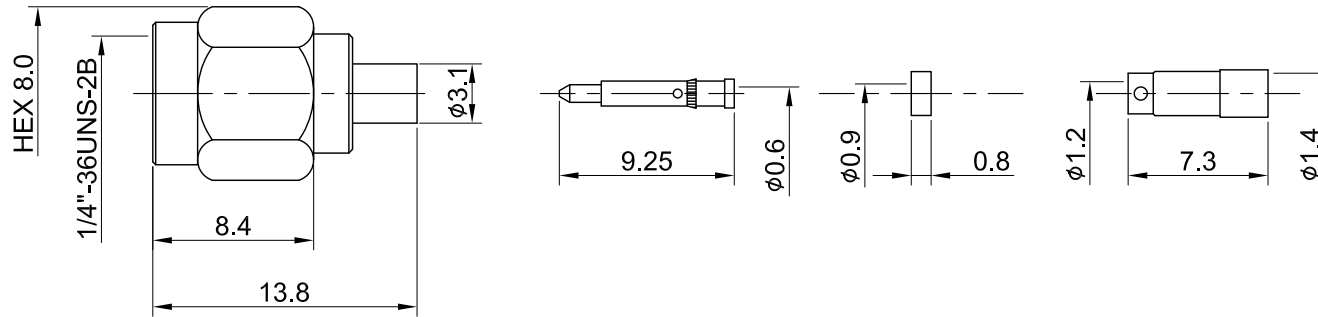


REV	DESCRIPTION	DATE
2.30	INITIAL DESIGN	2023/06/21
2.31	CORRECT INSULATION RESISTANCE UNIT	2023/11/01



RECOMMENDED STRIP LENGTHS



MECHANICAL DATA
TEMPERATURE RANGE : -65°C ~ + 165°C

ELECTRICAL DATA
FREQUENCY RANGE: DC~6GHz
IMPEDANCE : 50Ω
VSWR : 1.3 MAX.
WORKING VOLTAGE : AC 170V
WITHSTANDING VOLTAGE : AC 500V
INSULATION RESISTANCE : 5000 MΩ MIN

07	INSULATOR B	TEFLON	NONE	1
06	SLEEVE	BRASS	NICKEL	1
05	INNER RETAINING RING	Be.Cu	NONE	1
04	GASKET	SILICONE RUBBER	NONE	1
03	INSULATOR A	TEFLON	NONE	1
02	PIN	BRASS	GOLD	1
01	BODY	BRASS	GOLD	1
NO	DESCRIPTION	MATERIAL	FINISH	Q'TY

TITLE		DRAWN BY: Kelly		2023/11/01	
SMA (M) st. FOR1.32		CHK'D BY: Eileen		2023/11/01	
DWG NO. C01AA31132004		GENERAL TOLERANCES		DRAWN BY: Kelly 2023/11/01	
CUST. P/N: N/A		.X ±0.2		CHK'D BY: Eileen 2023/11/01	
DWG NO: N/A		.XX ±0.2		REVISIONS	
SHEET 1 of 1		.XXX ±0.2		REV. 2.31	
Unit: mm		ANGLES N/A		DA2311010026	

