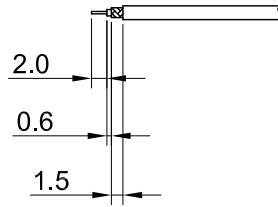
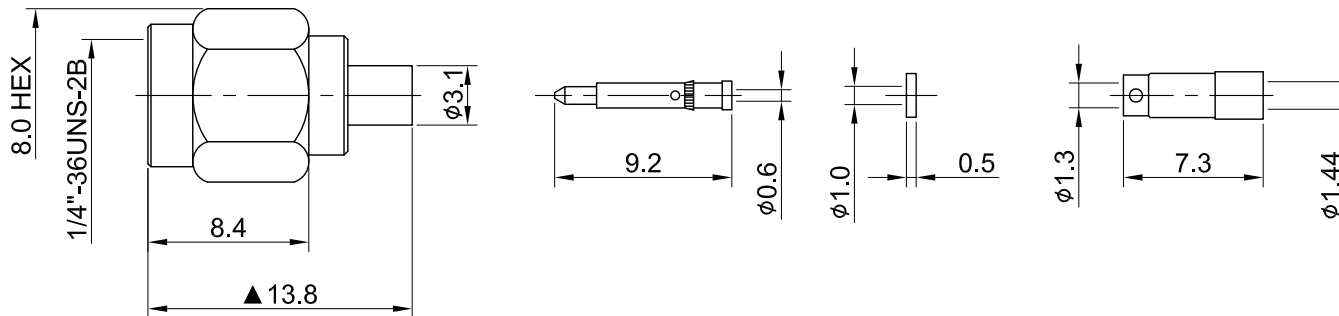


REV	DESCRIPTION	DATE
1.10	NEW DRAWING FRAME	2023/06/21
1.20	CORRECT INSULATION RESISTANCE, CHG DIM 13.8 W. 13.9	2023/12/18



RECOMMENDED STRIP LENGTHS



MECHANICAL DATA
TEMPERATURE RANGE : -65°C ~ + 165°C

ELECTRICAL DATA
FREQUENCY RANGE: DC~12.4GHz
IMPEDANCE : 50Ω
VSWR : 1.3 MAX.
WORKING VOLTAGE : AC170V
WITHSTANDING VOLTAGE : AC 500V
INSULATION RESISTANCE : 5000 MΩ MIN

08	CONTACT	BRASS	GOLD	1	TITLE SMA(M) st. for 1.37, 12.4GHz
07	FERRULE	BRASS	NICKEL	1	
06	SHELL	BRASS	GOLD	1	
05	INSULATOR B	TEFLON	NONE	1	DWG NO. C01AA31137004-1
04	C-RING	Be.Cu	NONE	1	CUST. P/N: N/A DWG NO: N/A
03	GASKET	SILICONE RUBBER	NONE	1	
02	INSULATOR A	TEFLON	NONE	1	
01	BODY	BRASS	GOLD	1	SHEET 1 of 1 Unit: mm
NO	DESCRIPTION	MATERIAL	FINISH	Q'TY	



GENERAL TOLERANCES	DRAWN BY: Lottie	2023/12/18
.X ±0.2	CHK'D BY: Una	2023/12/18
.XX ±0.2		
.XXX ±0.2		
ANGLES N/A		
	DA2312140011	REV. 1.20