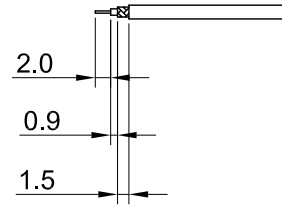
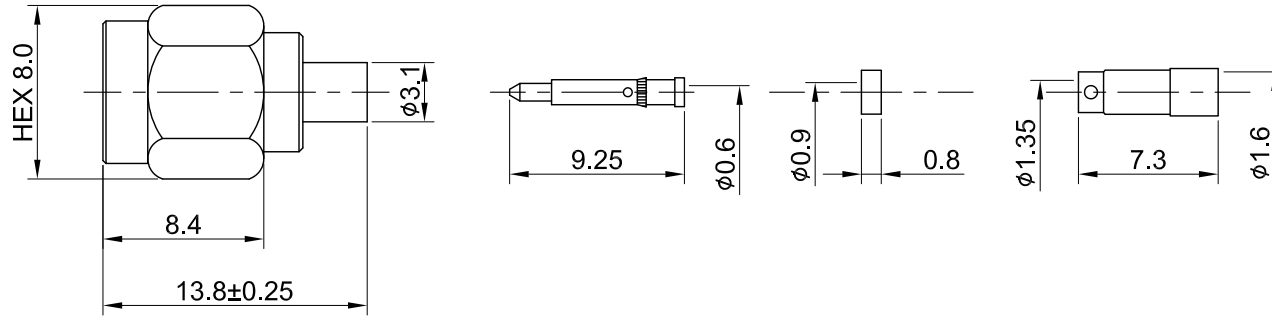


REV	DESCRIPTION	DATE
2.10	NEW DRAWING FRAME	2023/07/25
2.11	CORRECT INSULATION RESISTANCE UNIT	2023/12/14



RECOMMENDED STRIP LENGTHS



MECHANICAL DATA
TEMPERATURE RANGE : -65°C ~ + 165°C

ELECTRICAL DATA
FREQUENCY RANGE: DC~6GHZ
IMPEDANCE : 50Ω
VSWR : 1.3 MAX.
WORKING VOLTAGE : AC 170V
WITHSTANDING VOLTAGE : AC 500V
INSULATION RESISTANCE : 5000 MΩ MIN

07	INSULATOR B	TEFLON	NONE	1
06	SLEEVE	BRASS	NICKEL	1
05	INNER RETAINING RING	Be.Cu	NONE	1
04	GASKET	SILICONE RUBBER	NONE	1
03	PIN	BRASS	GOLD	1
02	INSULATOR A	TEFLON	NONE	1
01	BODY	BRASS	GOLD	1
NO	DESCRIPTION	MATERIAL	FINISH	Q'TY

TITLE		DRAWN BY: Kelly		2023/12/14
SMA(M) st. crimp type for 1.48 cable		CHK'D BY: Chilli		2023/12/14
DWG NO. C01AA31148004		REVISIONS		REV. 2.11
CUST. P/N: N/A DWG NO: N/A		DA2312130035		
SHEET 1 of 1 Unit: mm		GENERAL TOLERANCES		
		.X ±0.2		
		.XX ±0.2		
		.XXX ±0.2		
		ANGLES N/A		

