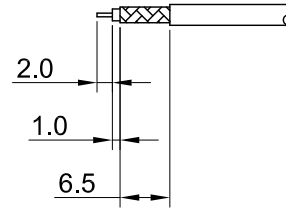
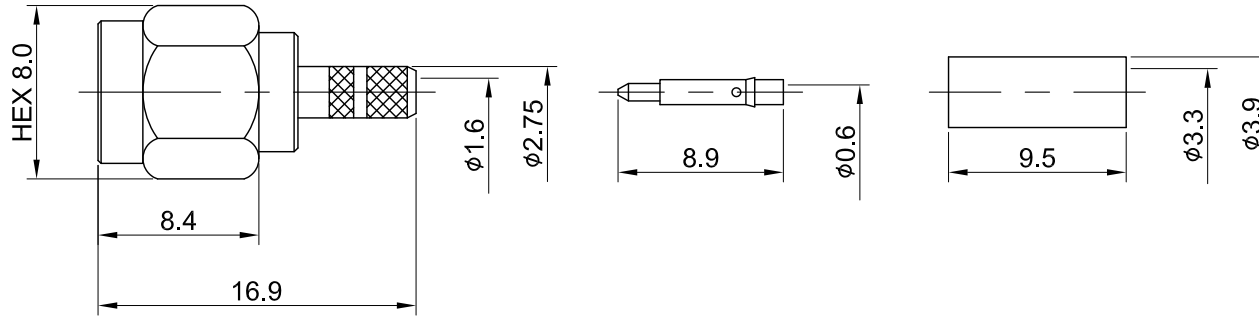


REV	DESCRIPTION	DATE
1.10	NEW DRAWING FRAME	2023/07/27
1.11	CORRECT INSULATION RESISTANCE UNIT	2023/12/15



RECOMMENDED STRIP LENGTHS



MECHANICAL DATA
TEMPERATURE RANGE : -65°C ~ + 165°C

ELECTRICAL DATA
FREQUENCY RANGE: DC~6GHz
IMPEDANCE : 50Ω
VSWR : 1.3 MAX.
WORKING VOLTAGE : AC 375V
WITHSTANDING VOLTAGE : AC 750V
INSULATION RESISTANCE : 5000 MΩ MIN

07	BODY	BRASS	GOLD	1
06	FERRULE	BRASS	GOLD	1
05	INNER RETAINING RING	Be.Cu	NONE	1
04	GASKET	SILICONE RUBBER	NONE	1
03	INSULATOR	TEFLON	NONE	1
02	PIN	BRASS	GOLD	1
01	SHELL	SUS303	passivated	1
NO	DESCRIPTION	MATERIAL	FINISH	Q'TY

TITLE		DRAWN BY: Kelly		2023/12/15	
SMA(M) st. crimp for RG174, SUS Shell		CHK'D BY: Chilli		2023/12/15	
DWG NO. C01AA31174004A-ST		REVISION		REV. 1.11	
CUST. P/N: N/A		GENERAL TOLERANCES		DRAWN BY: Kelly	
DWG NO: N/A		.X ±0.2		2023/12/15	
SHEET 1 of 1		.XX ±0.2		CHK'D BY: Chilli	
Unit: mm		.XXX ±0.2		2023/12/15	
		ANGLES N/A		REV. 1.11	

