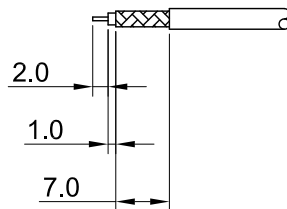
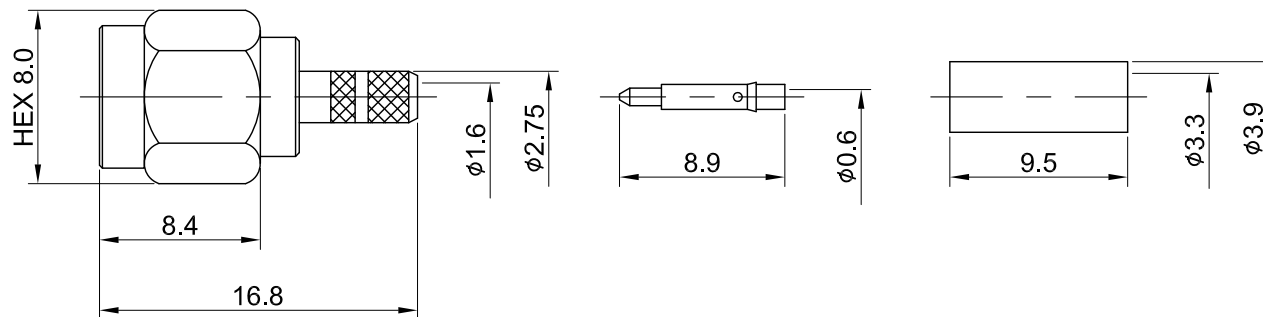


REV	DESCRIPTION	DATE
1.10	NEW DRAWING FRAME	2023/07/27
1.11	CORRECT INSULATION RESISTANCE UINT	2023/12/15
2.00	CHG C01AA31316004A-4 W. C01AA31174004A-4	2024/05/22



RECOMMENDED STRIP LENGTHS



MECHANICAL DATA
TEMPERATURE RANGE : -65°C ~ + 165°C

ELECTRICAL DATA
FREQUENCY RANGE: DC~12.4GHz
IMPEDANCE : 50Ω
VSWR : 1.3 MAX.
WORKING VOLTAGE : AC 375V
WITHSTANDING VOLTAGE : AC 750V
INSULATION RESISTANCE : 5000 MΩ MIN

07	FERRULE	BRASS	GOLD	1
06	C-RING	Be.Cu	NONE	1
05	GASKET	SILICONE RUBBER	NONE	1
04	INSULATOR	TEFLON	NONE	1
03	PIN	BRASS	GOLD	1
02	SHELL	BRASS	GOLD	1
01	BODY	BRASS	GOLD	1
NO	DESCRIPTION	MATERIAL	FINISH	Q'TY

TITLE		DRAWN BY: Kelly		2024/05/22	
SMA(M) st. crimp type for RG316, 12.4GHz		CHK'D BY: Mindy		2024/05/22	
DWG NO. C01AA31316004A-4		GENERAL TOLERANCES		DA2405220003	
CUST. P/N: N/A DWG NO: N/A		.X ±0.2 .XX ±0.2 .XXX ±0.2 ANGLES N/A		REV. 2.00	
SHEET 1 of 1	Unit: mm				

