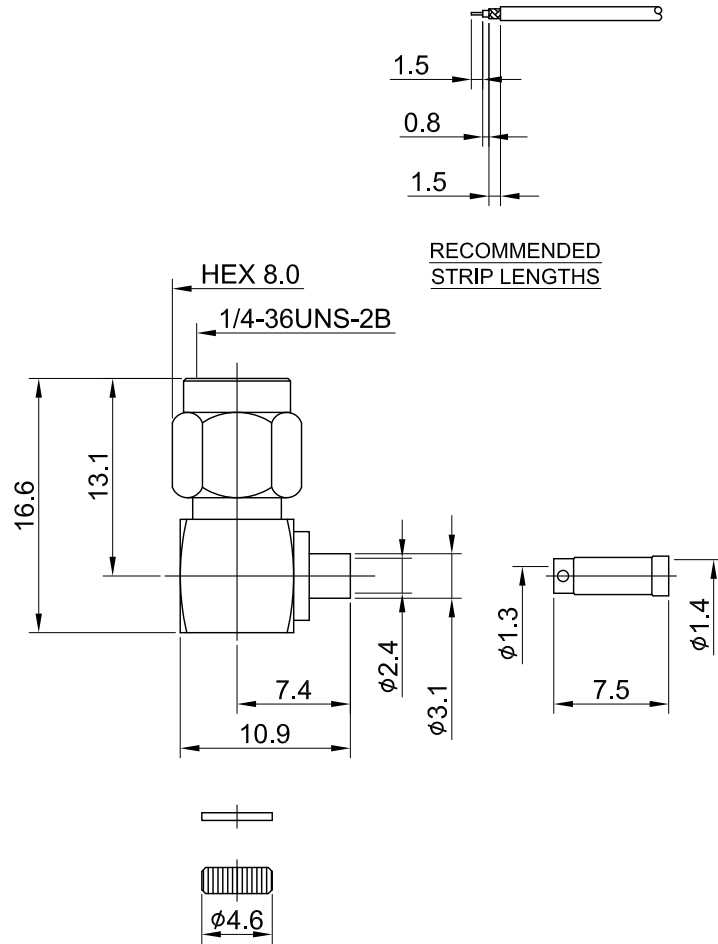


REV	DESCRIPTION	DATE
3.10	NEW DRAWING FRAME	2023/06/12
3.11	CORRECT INSULATION RESISTANCE UNIT	2023/12/18



MECHANICAL DATA
TEMPERATURE RANGE : -65°C ~ + 165°C

DIELECTRICAL DATA
FREQUENCY RANGE: DC~6GHz
IMPEDANCE : 50Ω
VSWR : 1.5 MAX.
WORKING VOLTAGE : AC 170V
WITHSTANDING VOLTAGE : AC 500V
INSULATION RESISTANCE : 5000 MΩ MIN

09	INSULATOR B	TEFLON	NONE	1
08	CAP	BRASS	GOLD	1
07	SLEEVE	BRASS	NICKEL	1
06	GASKET	SILICONE RUBBER	NONE	1
05	RING	Be.Cu	NONE	1
04	SHELL	BRASS	GOLD	1
03	PIN	BRASS	GOLD	1
02	INSULATOR A	TEFLON	NONE	1
01	BODY	BRASS	GOLD	1
NO	DESCRIPTION	MATERIAL	FINISH	Q'TY

TITLE		SMA(M) RA for 1.37	
DWG NO.		C01BA31137008	
CUST. P/N: N/A		DRAWN BY: Kelly 2023/12/18	
DWG NO: N/A		CHK'D BY: Eileen 2023/12/18	
SHEET 1 of 1		Unit: mm	
Unit: mm		DA2312150024	
Unit: mm		REV. 3.11	



GENERAL TOLERANCES		DRAWN BY: Kelly 2023/12/18	
.X	±0.2	CHK'D BY: Eileen 2023/12/18	
.XX	±0.2		
.XXX	±0.2		
ANGLES	N/A	REV. 3.11	