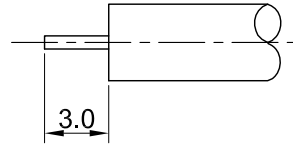
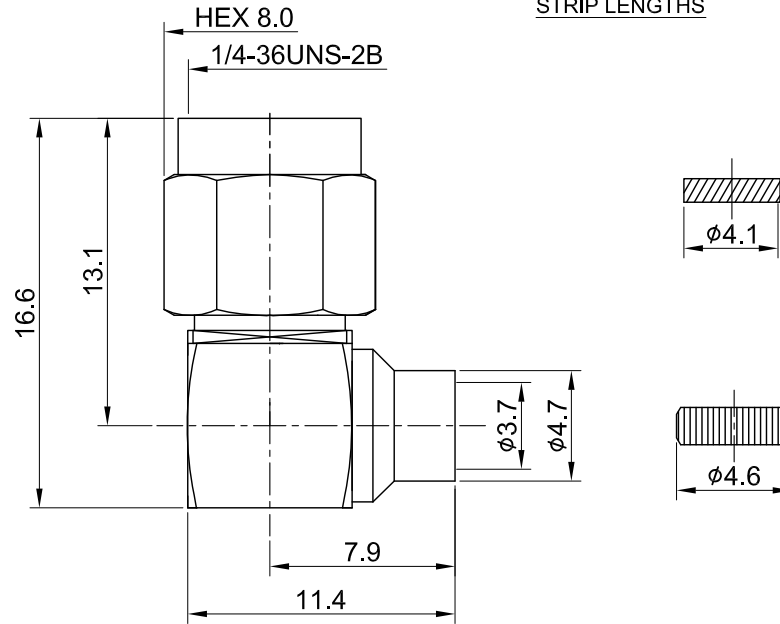


REV	DESCRIPTION	DATE
2.10	NEW DRAWING FRAME	2023/07/26
2.11	CORRECT INSULATION RESISTANCE UNIT	2023/12/18



RECOMMENDED STRIP LENGTHS



MECHANICAL DATA  
TEMPERATURE RANGE : -65°C ~ + 165°C

ELECTRICAL DATA  
FREQUENCY RANGE: DC~6GHz  
IMPEDANCE : 50Ω  
VSWR : 1.5 MAX.  
WORKING VOLTAGE : AC 500V  
WITHSTANDING VOLTAGE : AC 1000V  
INSULATION RESISTANCE : 5000 MΩ MIN

08	INSULATOR B	TEFLON	NONE	1	TITLE SMA(M) ra. solder type for .141
07	CAP	BRASS	GOLD	1	
06	GASKET	SILICONE RUBBER	NONE	1	
05	INNER RETAINING RING	Be.Cu	NONE	1	DWG NO. C01BA31141008B
04	SHELL	BRASS	GOLD	1	CUST. P/N: N/A DWG NO: N/A
03	PIN	BRASS	GOLD	1	
02	INSULATOR A	TEFLON	NONE	1	
01	BODY	BRASS	GOLD	1	SHEET 1 of 1 Unit: mm
NO	DESCRIPTION	MATERIAL	FINISH	Q'TY	



GENERAL TOLERANCES .X ±0.2 .XX ±0.2 .XXX ±0.2 ANGLES N/A	DRAWN BY: Kelly	2023/12/18
	CHK'D BY: Eileen	2023/12/18
	DA2312150026	REV. 2.11