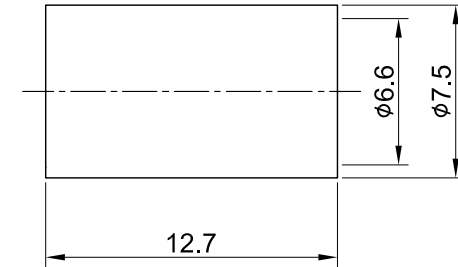
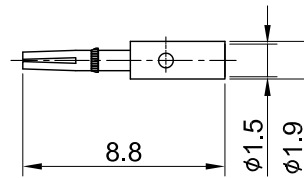
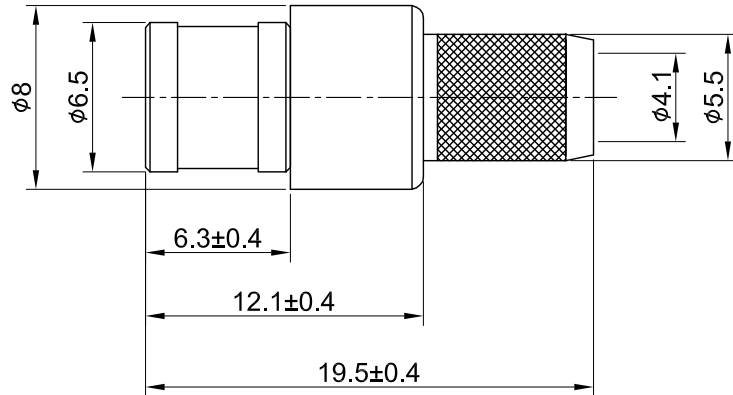
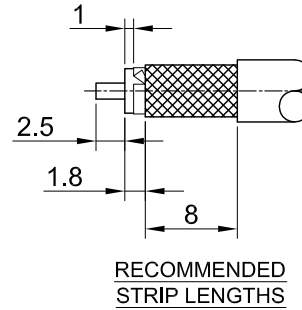


REV	DESCRIPTION	DATE
1.10	ADD DIMENSION 1	2023/08/21
1.20	UPDATE INSULATION RESISTANCE	2023/10/06



MECHANICAL DATA
 DURABILITY : 500 CYCLES
 TEMPERATURE RANGE : -65°C ~ + 165°C

ELECTRICAL DATA
 FREQUENCY RANGE: DC~4GHz
 IMPEDANCE : 50Ω
 VSWR : 1.5 MAX.
 WORKING VOLTAGE : AC 335V
 WITHSTANDING VOLTAGE : AC750V
 INSULATION RESISTANCE : 1000 MΩ MIN

07	FERULE	BRASS	GOLD	1
06	PIN	Be.Cu	GOLD	1
05	BODY B	BRASS	GOLD	1
04	INSULATOR	TEFLON	NONE	1
03	BODY A	BRASS	GOLD	1
02	SHELL	BRASS	GOLD	1
01	INNER RETAINING RING	Be.Cu	GOLD	1
NO	DESCRIPTION	MATERIAL	FINISH	Q'TY

TITLE		DRAWN BY: Kelly		2023/10/06
SMB(M)st. crimp for LMR240/H155 cable		CHK'D BY: Chilli		2023/10/06
DWG NO. C03AA3FL24003		REVISION		1.20
CUST. P/N: N/A DWG NO: N/A		DA2310060009		
SHEET 1 of 1		Unit: mm		



GENERAL TOLERANCES		REVISION	
.X	±0.2	1.20	
.XX	±0.2		
.XXX	±0.2		
ANGLES	N/A		