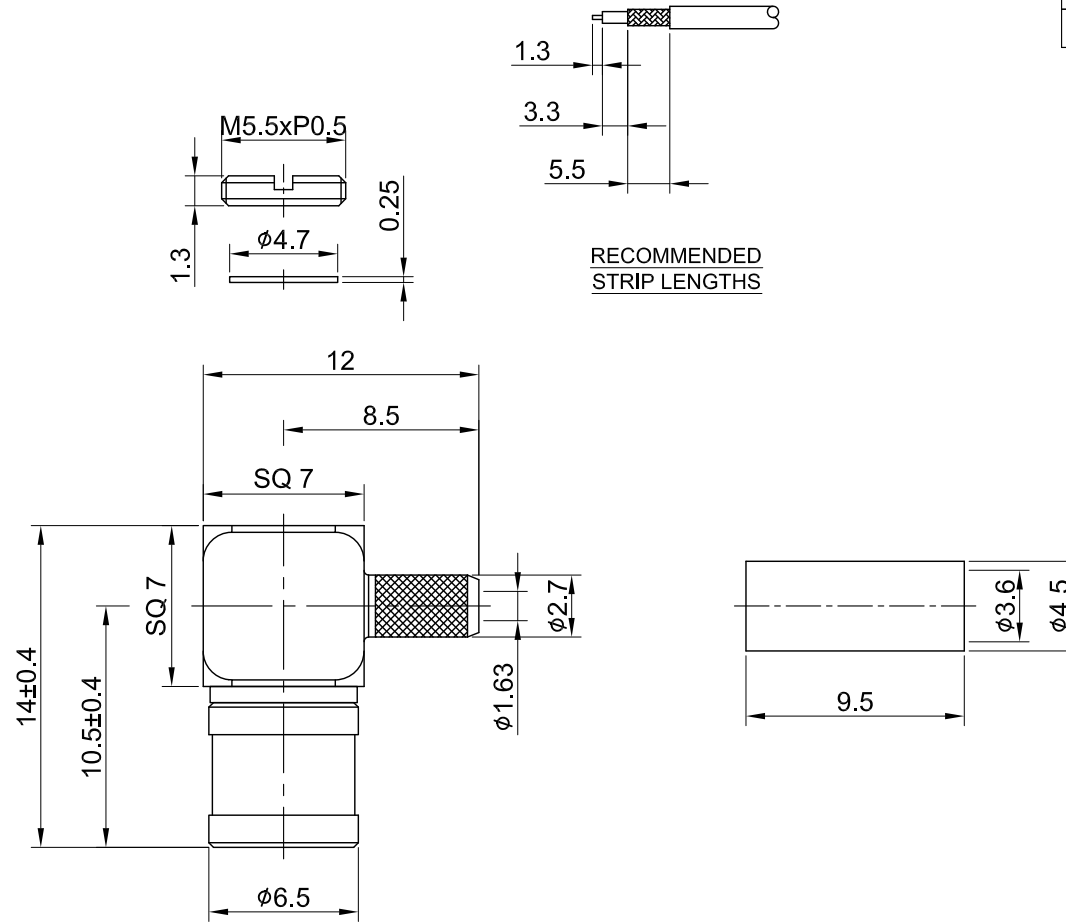



REV	DESCRIPTION	DATE
1.20	NEW DRAWING FRAME	2023/08/08
1.30	CORRECT INSULATION RESISTANCE	2023/11/09



MECHANICAL DATA
 DURABILITY : 500 CYCLES
 TEMPERATURE RANGE : -40°C ~ + 85°C

ELECTRICAL DATA
 FREQUENCY RANGE: DC~4GHz
 IMPEDANCE : 50Ω
 VSWR : 1.5 MAX.
 WORKING VOLTAGE : AC 335V
 WITHSTANDING VOLTAGE : AC 750V
 INSULATION RESISTANCE : 1000 MΩ MIN

09	FERRULE	BRASS	GOLD	1
08	COVER	BRASS	GOLD	1
07	INSULATOR COVER	PET	NONE	1
06	CENTER PIN	Be.Cu	GOLD	1
05	BODY B	BRASS	GOLD	1
04	INSULATOR	TEFLON	NONE	1
03	BODY A	BRASS	GOLD	1
02	SHELL	BRASS	GOLD	1
01	INNER RETAINING RING	Be.Cu	GOLD	1
NO	DESCRIPTION	MATERIAL	FINISH	Q'TY

TITLE		SMB(M) ra. crimp type for RD316 , thread cap					
DWG NO.		C03BA3F316D01-2					
CUST.		DRAWN BY: Lottie 2023/11/09					
P/N: N/A		CHK'D BY: Dora 2023/11/09					
DWG NO: N/A							
SHEET 1 of 1		<table border="1"> <tr> <td>GENERAL TOLERANCES</td> <td>ANGLES</td> <td>DA2311060023</td> <td>REV. 1.30</td> </tr> </table>		GENERAL TOLERANCES	ANGLES	DA2311060023	REV. 1.30
GENERAL TOLERANCES	ANGLES	DA2311060023	REV. 1.30				