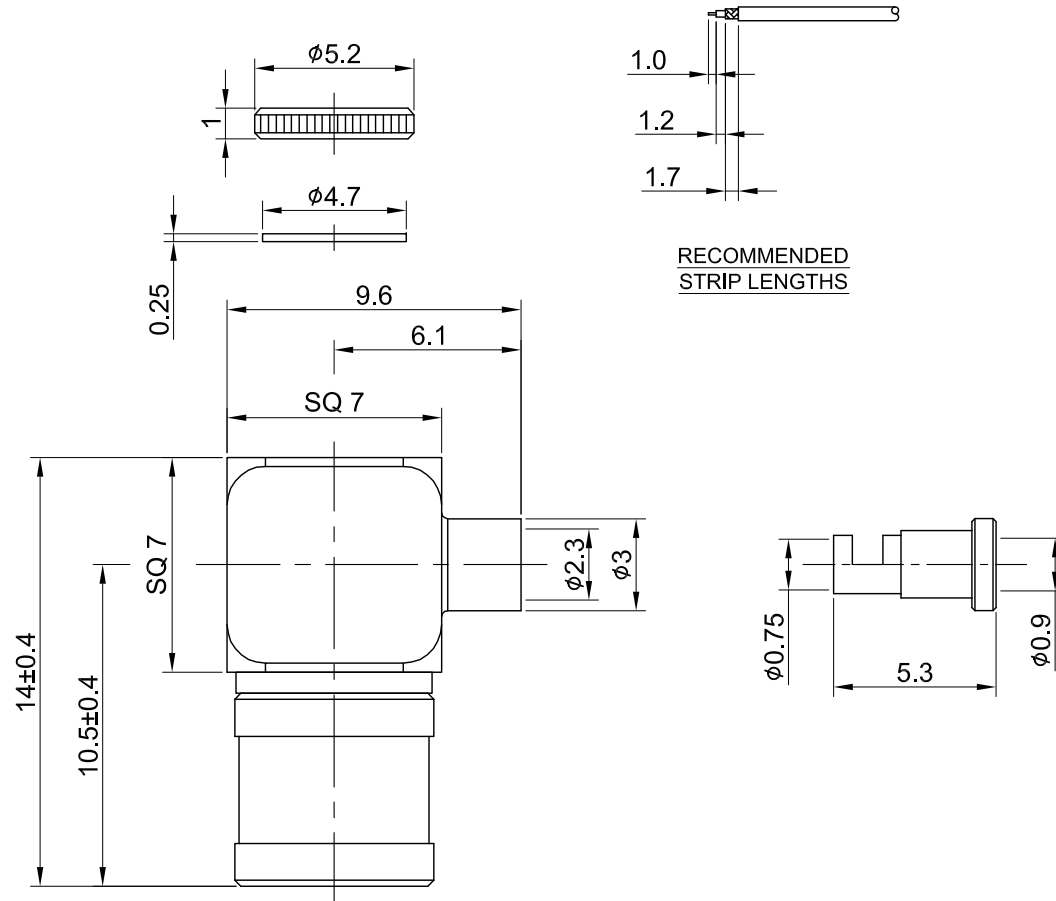



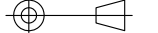
REV	DESCRIPTION	DATE
1.10	NEW DRAWING FRAME	2023/08/22
1.20	CORRECT INSULATION RESISTANCE	2023/11/08



MECHANICAL DATA  
 DURABILITY : 500 CYCLES  
 TEMPERATURE RANGE : -40°C ~ + 85°C

ELECTRICAL DATA  
 FREQUENCY RANGE: DC~4GHz  
 IMPEDANCE : 50Ω  
 VSWR : 1.5 MAX.  
 WORKING VOLTAGE : AC 335V  
 WITHSTANDING VOLTAGE : AC 750V  
 INSULATION RESISTANCE : 1000 MΩ MIN

09	FERRULE	BRASS	GOLD	1
08	PRESS COVER	BRASS	GOLD	1
07	INSULATOR COVER	PET	NONE	1
06	PIN	Be.Cu	GOLD	1
05	CABLE BODY	BRASS	GOLD	1
04	INSULATOR	TEFLON	NONE	1
03	BODY	BRASS	GOLD	1
02	SHELL	BRASS	GOLD	1
01	INNER RETAINING RING	Be.Cu	GOLD	1
NO	DESCRIPTION	MATERIAL	FINISH	Q'TY

TITLE		DRAWN BY: Lottie		2023/11/08
SMB(M) ra. crimp type for 0.81		CHK'D BY: Kana		2023/11/08
DWG NO. C03BA3F081001B		GENERAL TOLERANCES		
CUST. P/N: N/A DWG NO: N/A		.X ±0.2 .XX ±0.2 .XXX ±0.2 ANGLES N/A		
SHEET 1 of 1	Unit: mm			REV. 1.20
		DA2311030011		