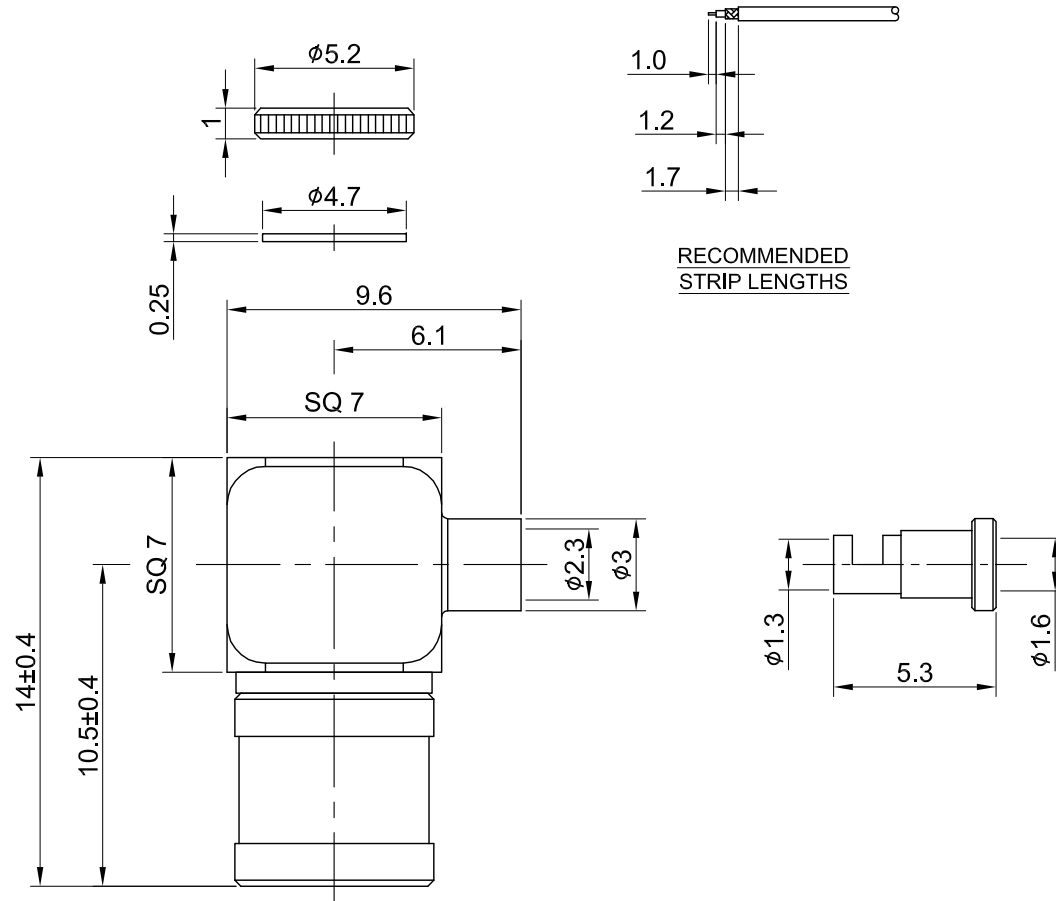


REV	DESCRIPTION	DATE
2.10	NEW DRAWING FRAME	2023/08/22
2.20	CORRECT INSULATION RESISTANCE	2023/11/08



MECHANICAL DATA
 DURABILITY : 500 CYCLES
 TEMPERATURE RANGE : -40°C ~ + 85°C

ELECTRICAL DATA
 FREQUENCY RANGE: DC~4GHz
 IMPEDANCE : 50Ω
 VSWR : 1.5 MAX.
 WORKING VOLTAGE : AC 335V
 WITHSTANDING VOLTAGE : AC 750V
 INSULATION RESISTANCE : 1000 MΩ MIN

09	FERRULE	BRASS	GOLD	1
08	PRESS COVER	BRASS	GOLD	1
07	INSULATOR COVER	PET	NONE	1
06	PIN	Be.Cu	GOLD	1
05	CABLE BODY	BRASS	GOLD	1
04	INSULATOR	TEFLON	NONE	1
03	BODY	BRASS	GOLD	1
02	SHELL	BRASS	GOLD	1
01	INNER RETAINING RING	Be.Cu	GOLD	1
NO	DESCRIPTION	MATERIAL	FINISH	Q'TY

TITLE		SMB(M) ra. crimp type for 1.37	
DWG NO.		C03BA3F137001B	
CUST. P/N:		N/A	
DWG NO:		N/A	
SHEET 1 of 1		Unit: mm	
GENERAL TOLERANCES		DRAWN BY: Lottie 2023/11/08	
.X ±0.2		CHK'D BY: Kana 2023/11/08	
.XX ±0.2		REV.	
.XXX ±0.2		2.20	
ANGLES N/A		DA2311030017	

