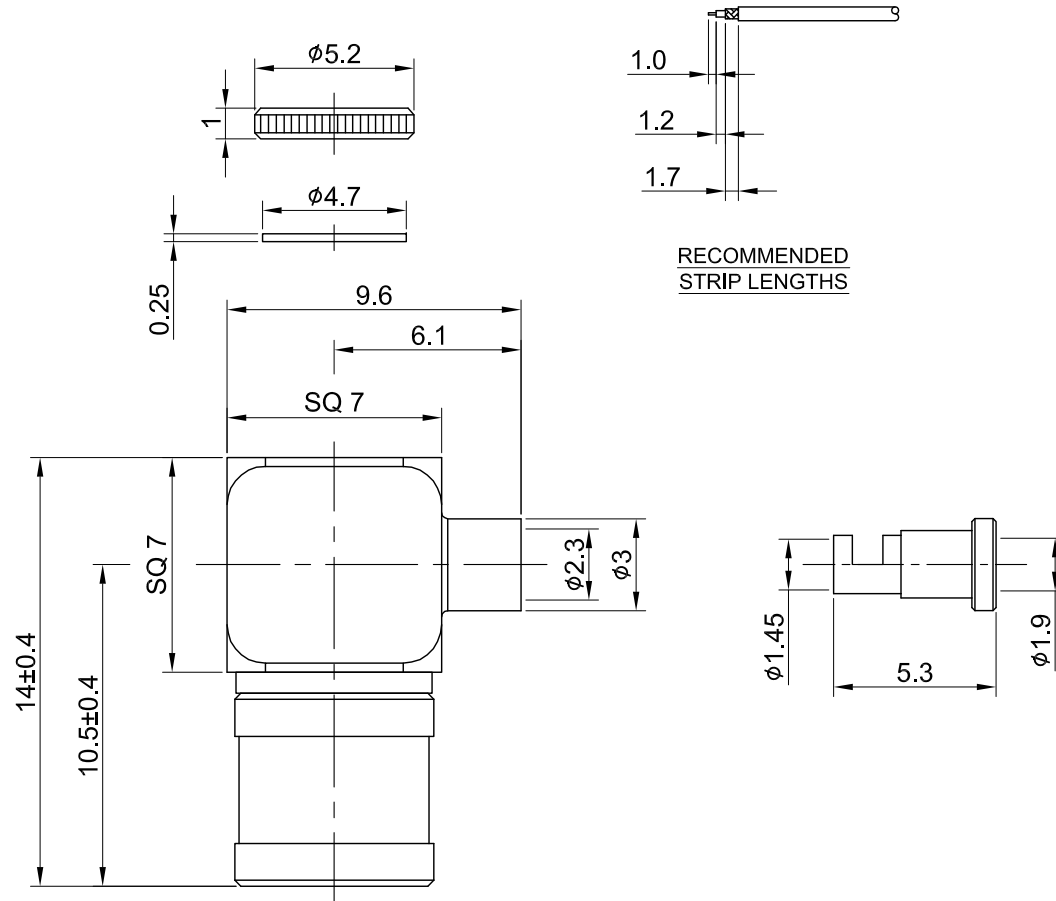



REV	DESCRIPTION	DATE
2.10	NEW DRAWING FRAME	2023/08/22
2.20	CORRECT INSULATION RESISTANCE	2023/11/09



MECHANICAL DATA
 DURABILITY : 500 CYCLES
 TEMPERATURE RANGE : -40°C ~ + 85°C

ELECTRICAL DATA
 FREQUENCY RANGE: DC~4GHz
 IMPEDANCE : 50Ω
 VSWR : 1.5 MAX.
 WORKING VOLTAGE : AC 335V
 WITHSTANDING VOLTAGE : AC 750V
 INSULATION RESISTANCE : 1000 MΩ MIN

09	FERRULE	BRASS	GOLD	1
08	PRESS COVER	BRASS	GOLD	1
07	INSULATOR COVER	PET	NONE	1
06	PIN	Be.Cu	GOLD	1
05	CABLE BODY	BRASS	GOLD	1
04	INSULATOR	TEFLON	NONE	1
03	BODY	BRASS	GOLD	1
02	SHELL	BRASS	GOLD	1
01	INNER RETAINING RING	Be.Cu	GOLD	1
NO	DESCRIPTION	MATERIAL	FINISH	Q'TY

TITLE		DRAWN BY: Lottie		2023/11/09
SMB(M) ra. crimp type for RG178		CHK'D BY: Dora		2023/11/09
DWG NO. C03BA3F178001B		CUST. P/N: N/A		
DWG NO: N/A		DWG NO: N/A		
SHEET 1 of 1		Unit: mm		GENERAL TOLERANCES .X ±0.2 .XX ±0.2 .XXX ±0.2 ANGLES N/A
		DA2311060025		REV. 2.20