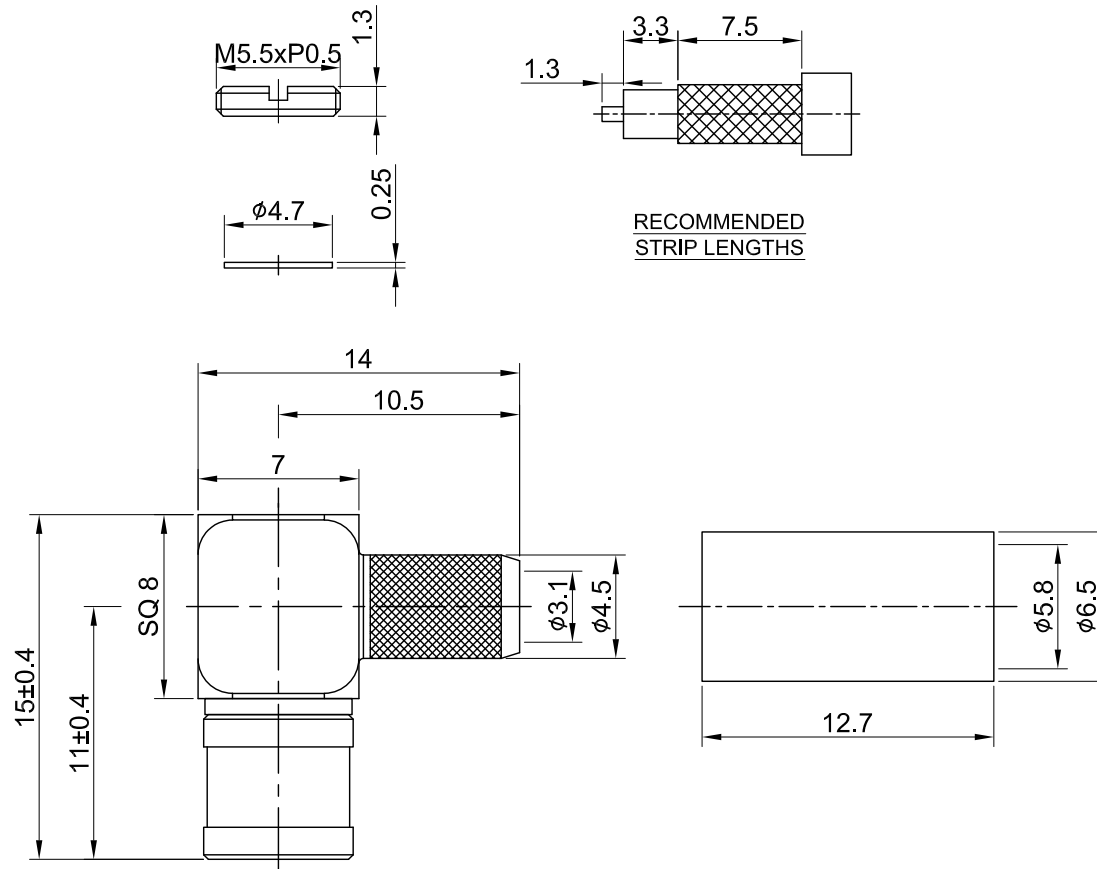


REV	DESCRIPTION	DATE
1.00	INITIAL DESIGN	2009/09/17
2.00	UPDATE DRAWING	2023/05/19
2.10	CORRECT TEMPERATURE & WITHSTANDING	2023/08/21
2.20	CORRECT INSULATION RESISTANCE & DURABILITY	2023/11/08



MECHANICAL DATA
 DURABILITY : 500 CYCLES
 TEMPERATURE RANGE : -40°C ~ + 85°C

DIELECTRICAL DATA
 FREQUENCY RANGE: DC~4GHz
 IMPEDANCE : 50Ω
 VSWR : 1.5 MAX.
 WORKING VOLTAGE : AC 335V
 WITHSTANDING VOLTAGE : AC 750V
 INSULATION RESISTANCE : 1000 MΩ MIN

09	FERRULE	BRASS	GOLD	1
08	COVER	BRASS	GOLD	1
07	INSULATOR B	PET	NONE	1
06	CENTER PIN	Be.Cu	GOLD	1
05	CABLE BODY	BRASS	GOLD	1
04	INSULATOR A	TEFLON	NONE	1
03	BODY	BRASS	GOLD	1
02	SHELL	BRASS	GOLD	1
01	INNER REAINING RING	Be.Cu	GOLD	1
NO	DESCRIPTION	MATERIAL	FINISH	Q'TY

TITLE
 SMB(M) ra. crimp type for RG400/RG142/RG223

DWG NO.
 C03BA3F400001

CUST.
 P/N: N/A
 DWG NO: N/A

SHEET 1 of 1 Unit: mm



GENERAL TOLERANCES	DRAWN BY: Lottie	2023/11/08
.X ±0.2	CHK'D BY: Dora	2023/11/08
.XX ±0.2		
.XXX ±0.2		
ANGLES N/A		
	DA2311060022	REV. 2.20