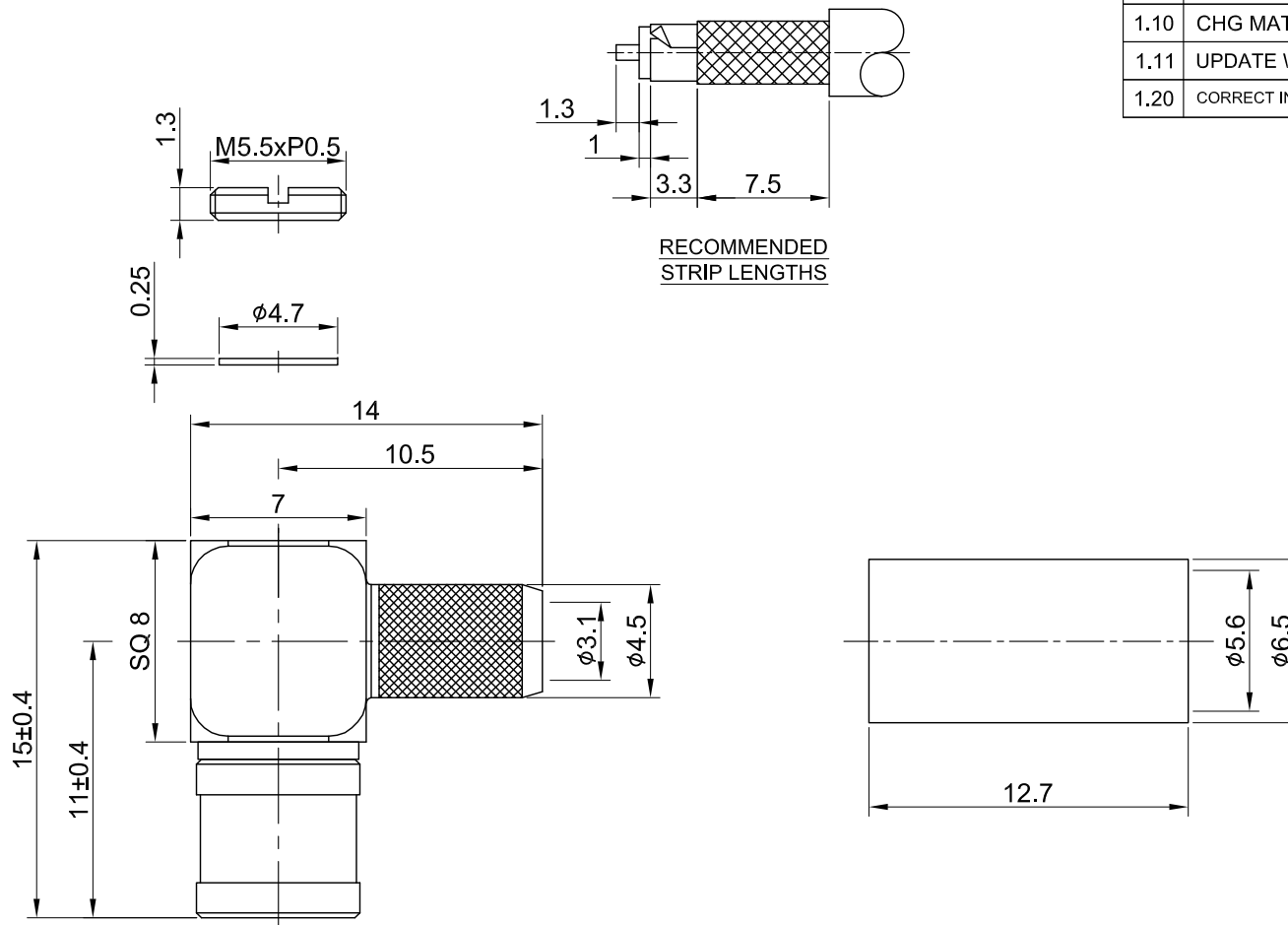


REV	DESCRIPTION	DATE
1.00	INITIAL DESIGN	2015/10/08
1.10	CHG MATERIAL PET W. POM	2023/05/23
1.11	UPDATE WITHSTANDING & TEMPERATURE	2023/08/07
1.20	CORRECT INSULATION RESISTANCE, ADD DURABILITY	2023/11/08



MECHANICAL DATA
 DURABILITY : 500 CYCLES
 TEMPERATURE RANGE : -40°C ~ + 85°C

DIELECTRICAL DATA
 FREQUENCY RANGE: DC~4GHz
 IMPEDANCE : 50Ω
 VSWR : 1.5 MAX.
 WORKING VOLTAGE : AC 335V
 WITHSTANDING VOLTAGE : AC 750V
 INSULATION RESISTANCE : 1000 MΩ MIN

09	FERRULE	BRASS	GOLD	1
08	COVER	BRASS	GOLD	1
07	INSULATOR COVER	PET	NONE	1
06	PIN	Be.Cu	GOLD	1
05	BODY B	BRASS	GOLD	1
04	INSULATOR	TEFLON	NONE	1
03	BODY A	BRASS	GOLD	1
02	SHELL	BRASS	GOLD	1
01	INNER REAINING RING	Be.Cu	GOLD	1
NO	DESCRIPTION	MATERIAL	FINISH	Q'TY

TITLE		DRAWN BY: Lottie		2023/11/08
SMB(M)ra. for LMR200		CHK'D BY: Dora		2023/11/08
DWG NO. C03BA3FL20001		GENERAL TOLERANCES		
CUST. P/N: N/A DWG NO: N/A		.X ±0.2 .XX ±0.2 .XXX ±0.2 ANGLES N/A		
SHEET 1 of 1	Unit: mm	DA2311060018		REV. 1.20