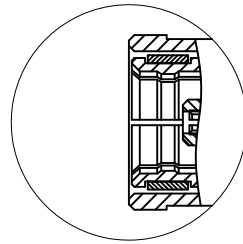
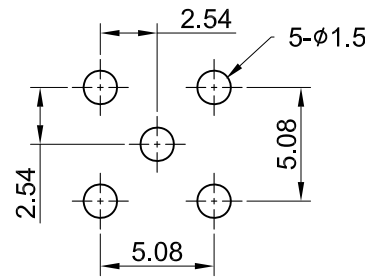


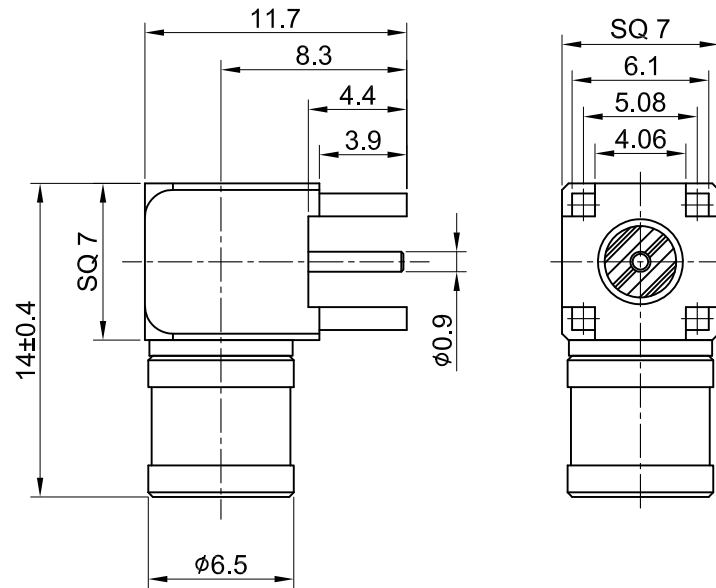
REV	DESCRIPTION	DATE
1.10	NEW DRAWING FRAME	2023/08/22
1.20	CORRECT INSULATION RESISTANCE	2023/11/07



DETAIL A



RECOMMENDED
PCB LAYOUT



MECHANICAL DATA
 DURABILITY : 500 CYCLES
 TEMPERATURE RANGE : -65°C ~ + 165°C

ELECTRICAL DATA
 FREQUENCY RANGE: DC~3GHz
 IMPEDANCE : 75Ω
 VSWR : 1.5 MAX.
 WORKING VOLTAGE : AC 335V
 WITHSTANDING VOLTAGE : AC 750V
 INSULATION RESISTANCE : 1000 MΩ MIN

07	CENTER PIN	Be.Cu	GOLD	1
06	INSULATOR B	TEFLON	NONE	1
05	BODY B	BRASS	GOLD	1
04	INSULATOR A	TEFLON	NONE	1
03	BODY A	BRASS	GOLD	1
02	INNER RETAINING RING	Be.Cu	GOLD	1
01	SHELL	BRASS	GOLD	1
NO	DESCRIPTION	MATERIAL	FINISH	Q'TY

TITLE		DRAWN BY:		CHK'D BY:		REVISION	
SMB(M) ra. PCB type (75 ohm)		Lottie	2023/11/07	Dora	2023/11/07	REV. 1.20	
DWG NO. C03PN3F19		DRAWN BY: Lottie 2023/11/07		CHK'D BY: Dora 2023/11/07		REV. 1.20	
CUST. P/N: N/A DWG NO: N/A		DRAWN BY: Lottie 2023/11/07		CHK'D BY: Dora 2023/11/07		REV. 1.20	
SHEET 1 of 1 Unit: mm		DRAWN BY: Lottie 2023/11/07		CHK'D BY: Dora 2023/11/07		REV. 1.20	