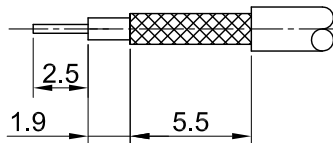
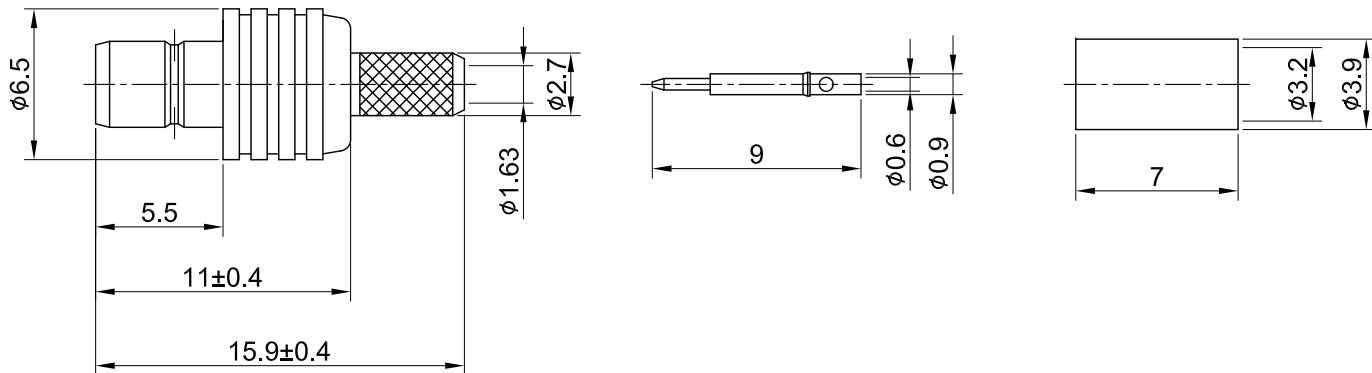


REV	DESCRIPTION	DATE
1.30	NEW DRAWING FRAME	2023/08/01
1.31	CORRECT INSULATION RESISTANCE UNIT	2023/10/27



RECOMMENDED STRIP LENGTHS



MECHANICAL DATA  
TEMPERATURE RANGE : -65°C ~ + 165°C

ELECTRICAL DATA  
FREQUENCY RANGE: DC~4GHz  
IMPEDANCE : 50Ω  
VSWR : 1.5 MAX.  
WORKING VOLTAGE : AC 335V  
WITHSTANDING VOLTAGE : AC 750V  
INSULATION RESISTANCE : 1000 MΩ MIN

TITLE  
SMB(F) st. crimp for RG174

05	FERRULE	BRASS	GOLD	1
04	BODY B	BRASS	GOLD	1
03	CENTER PIN	BRASS	GOLD	1
02	INSULATOR	TEFLON	NONE	1
01	BODY A	BRASS	GOLD	1
NO	DESCRIPTION	MATERIAL	FINISH	Q'TY

DWG NO. C04AA3F174008	
CUST. P/N: N/A DWG NO: N/A	
SHEET 1 of 1	Unit: mm

GENERAL TOLERANCES

.X ±0.2

.XX ±0.2

.XXX ±0.2

ANGLES N/A

DRAWN BY: Kelly 2023/10/27

CHK'D BY: Eileen 2023/10/27

REV.  
1.31

DA2310270014