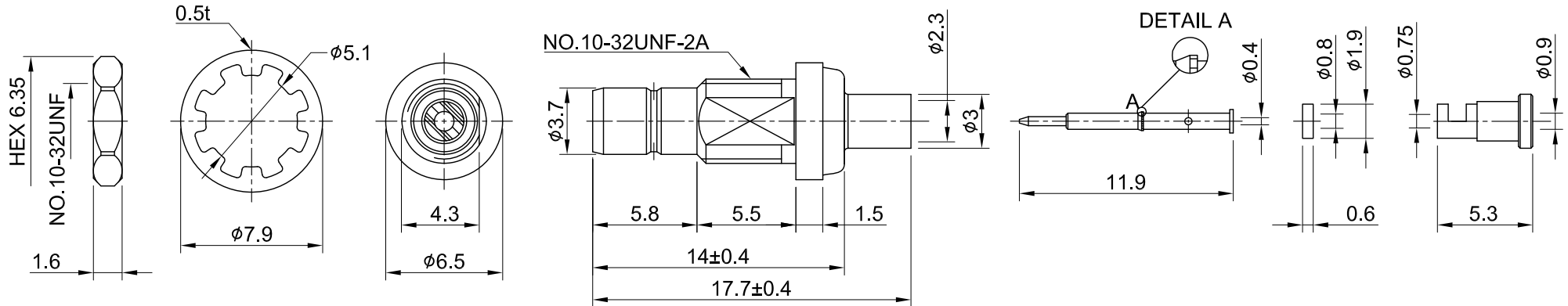
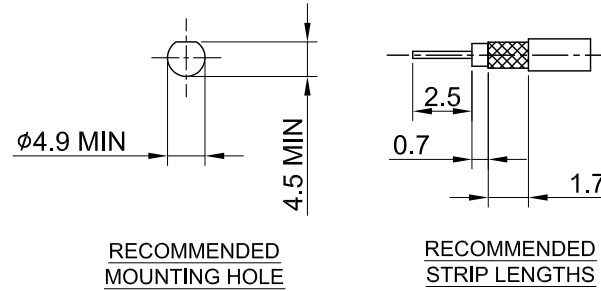


| REV  | DESCRIPTION                   | DATE       |
|------|-------------------------------|------------|
| 1.30 | NEW DRAWING FRAME             | 2023/08/01 |
| 1.31 | CORRECT INSULATION RESISTANCE | 2023/10/31 |



MECHANICAL DATA  
TEMPERATURE RANGE : -65°C ~ + 165°C

ELECTRICAL DATA  
FREQUENCY RANGE: DC~4GHz  
IMPEDANCE : 50Ω  
VSWR : 1.3 MAX.  
WORKING VOLTAGE : AC 335V  
WITHSTANDING VOLTAGE : AC 750V  
INSULATION RESISTANCE : 1000 MΩ MIN

|    |                  |          |        |      |                                    |  |   |  |              |  |
|----|------------------|----------|--------|------|------------------------------------|--|---|--|--------------|--|
| 08 | NUT              | BRASS    | GOLD   | 1    | TITLE<br>SMB(F) bh. for 0.81 cable |  |  |  |              |  |
| 07 | LOCK WASHER      | BRASS    | GOLD   | 1    |                                    |  |   |  |              |  |
| 06 | FERRULE          | BRASS    | GOLD   | 1    |                                    |  |   |  |              |  |
| 05 | INSULATOR GASKET | TEFLON   | NONE   | 1    | DWG NO.<br>C04AB3F081006E          |  | DRAWN BY: Lottie 2023/10/31   |  |              |  |
| 04 | CENTER PIN       | BRASS    | GOLD   | 1    | CUST.<br>P/N: N/A<br>DWG NO: N/A   |  | CHK'D BY: Dora 2023/10/31   |  |              |  |
| 03 | BODY B           | BRASS    | GOLD   | 1    |                                    |  |  |  | REV.         |  |
| 02 | INSULATOR        | TEFLON   | NONE   | 1    |                                    |  |   |  | DA2310300020 |  |
| 01 | BODY A           | BRASS    | GOLD   | 1    | SHEET 1 of 1 Unit: mm              |  |   |  |              |  |
| NO | DESCRIPTION      | MATERIAL | FINISH | Q'TY |                                    |  |   |  |              |  |