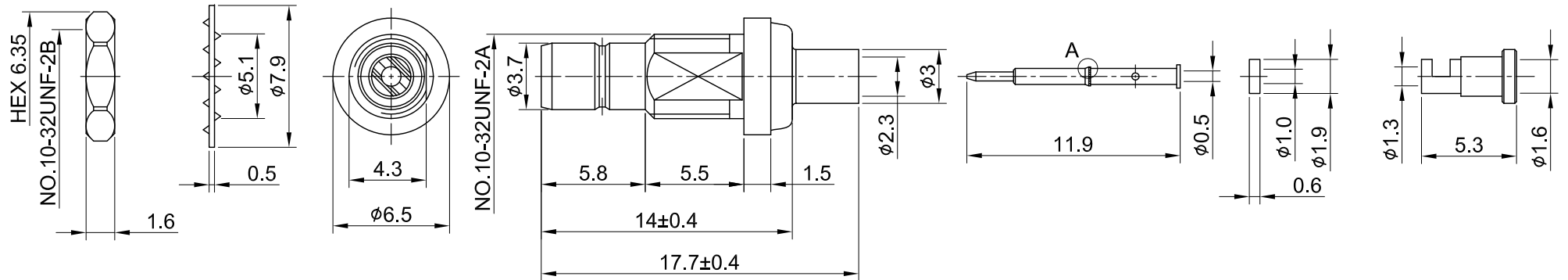
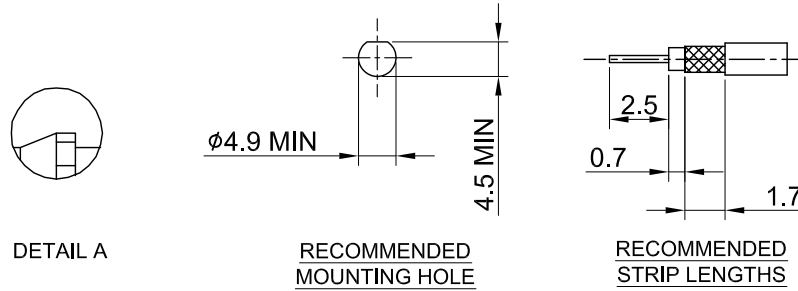


REV	DESCRIPTION	DATE
1.30	NEW DRAWING FRAME	2023/08/01
1.31	CORRECT INSULATION RESISTANCE	2023/10/31



MECHANICAL DATA
TEMPERATURE RANGE : -65°C ~ + 165°C

ELECTRICAL DATA
FREQUENCY RANGE: DC~4GHz
IMPEDANCE : 50Ω
VSWR : 1.3 MAX.
WORKING VOLTAGE : AC 335V
WITHSTANDING VOLTAGE : AC 750V
INSULATION RESISTANCE : 1000 MΩ MIN

08	NUT	BRASS	GOLD	1	TITLE	
07	LOCK WASHER	BRASS	GOLD	1	SMB(F) bh. for 1.37mm cable	
06	FERRULE	BRASS	GOLD	1	DWG NO.	
05	INSULATOR GASKET	TEFLON	NONE	1	C04AB3F137006E	
04	CENTER PIN	BRASS	GOLD	1	CUST.	
03	BODY B	BRASS	GOLD	1	P/N: N/A	
02	INSULATOR	TEFLON	NONE	1	DWG NO: N/A	
01	BODY A	BRASS	GOLD	1	SHEET 1 of 1	
NO	DESCRIPTION	MATERIAL	FINISH	Q'TY	Unit: mm	DRAWN BY: Lottie 2023/10/31
						CHK'D BY: Dora 2023/10/31
						GENERAL TOLERANCES
						.X ±0.2
						.XX ±0.2
						.XXX ±0.2
						ANGLES N/A
						DA2310300017
						REV. 1.31

