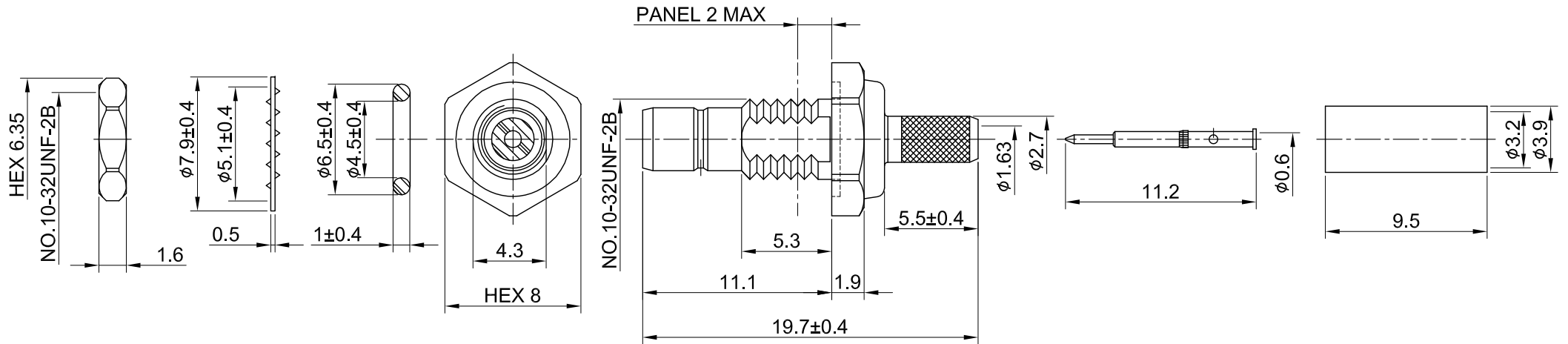
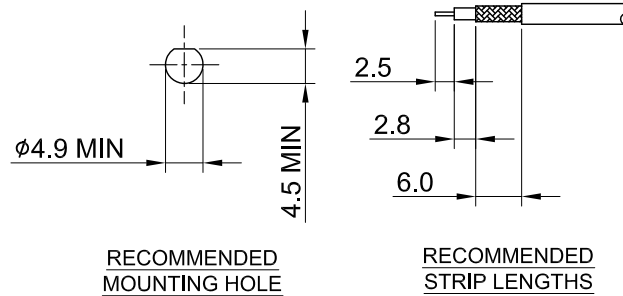


REV	DESCRIPTION	DATE
1.10	NEW DRAWING FRAME	2023/08/22
1.11	CORRECT INSULATION RESISTANCE	2023/10/31



MECHANICAL DATA
TEMPERATURE RANGE : -65°C ~ + 165°C

ELECTRICAL DATA
FREQUENCY RANGE: DC~4GHz
IMPEDANCE : 50Ω
VSWR : 1.5 MAX.
WORKING VOLTAGE : AC 335V
WITHSTANDING VOLTAGE : AC 750V
INSULATION RESISTANCE : 1000 MΩ MIN

08	NUT	BRASS	GOLD	1	TITLE SMB(F) bh. wOring crimp type for RG174																
07	WASHER	BRASS	GOLD	1																	
06	O RING	SILICONE RUBBER	BLACK	1	DWG NO. C04AD3F174023																
05	FERRULE	BRASS	GOLD	1																	
04	CENTER PIN	BRASS	GOLD	1	CUST. P/N: N/A DWG NO: N/A																
03	CABLE BODY	BRASS	GOLD	1																	
02	INSULATOR	TEFLON	NONE	1	<table border="0"> <tr> <td>GENERAL TOLERANCES</td> <td>DRAWN BY: Lottie</td> <td>2023/10/31</td> </tr> <tr> <td>.X ±0.2</td> <td>CHK'D BY: Dora</td> <td>2023/10/31</td> </tr> <tr> <td>.XX ±0.2</td> <td></td> <td></td> </tr> <tr> <td>.XXX ±0.2</td> <td></td> <td></td> </tr> <tr> <td>ANGLES N/A</td> <td></td> <td></td> </tr> </table>		GENERAL TOLERANCES	DRAWN BY: Lottie	2023/10/31	.X ±0.2	CHK'D BY: Dora	2023/10/31	.XX ±0.2			.XXX ±0.2			ANGLES N/A		
GENERAL TOLERANCES	DRAWN BY: Lottie	2023/10/31																			
.X ±0.2	CHK'D BY: Dora	2023/10/31																			
.XX ±0.2																					
.XXX ±0.2																					
ANGLES N/A																					
01	BODY	BRASS	GOLD	1	<table border="0"> <tr> <td>⊕</td> <td>REV.</td> </tr> <tr> <td>DA2310300013</td> <td>1.11</td> </tr> </table>		⊕	REV.	DA2310300013	1.11											
⊕	REV.																				
DA2310300013	1.11																				
NO	DESCRIPTION	MATERIAL	FINISH	Q'TY	SHEET 1 of 1	Unit: mm															