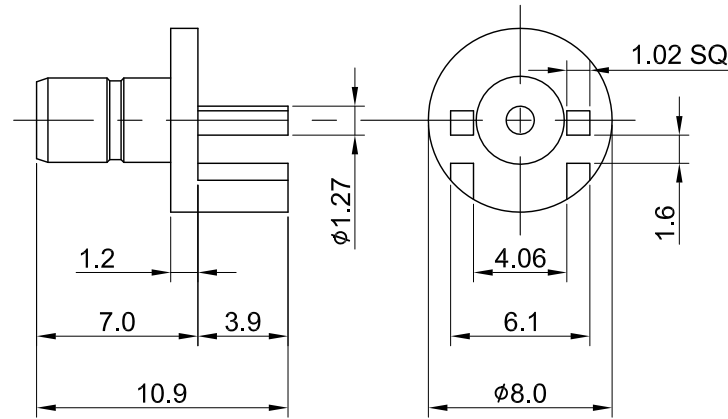


REV	DESCRIPTION	DATE
1.10	NEW DRAWING FRAME	2023/07/28
1.11	CORRECT INSULATION RESISTANCE UNIT	2024/03/18



MECHANICAL DATA  
 DURABILITY : 100 CYCLES  
 TEMPERATURE RANGE : -65°C ~ + 165°C

ELECTRICAL DATA  
 FREQUENCY RANGE: DC~4GHz  
 IMPEDANCE : 50Ω  
 VSWR : 1.3 MAX.  
 WORKING VOLTAGE : AC 500V  
 WITHSTANDING VOLTAGE : AC 1000V  
 INSULATION RESISTANCE : 5000 MΩ MIN

TITLE SMB(F) st. for edge mount, Leg: 3.9mm	
DWG NO. C04AJ31P00109	
CUST. P/N: N/A DWG NO: N/A	GENERAL TOLERANCES .X ±0.2 .XX ±0.2 .XXX ±0.2 ANGLES N/A
SHEET 1 of 1 Unit: mm	DRAWN BY: Kelly 2024/07/18 CHK'D BY: Una 2024/07/18 REV. 1.11 DA2401290020

NO	DESCRIPTION	MATERIAL	FINISH	Q'TY
03	PIN	BRASS	GOLD	1
02	INSULATOR	TEFLON	NONE	1
01	BODY	BRASS	GOLD	1