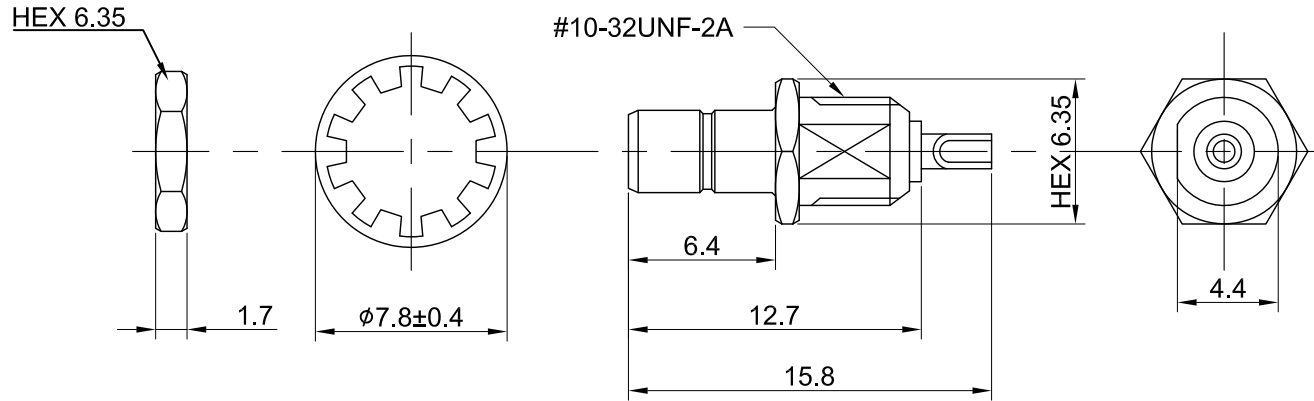
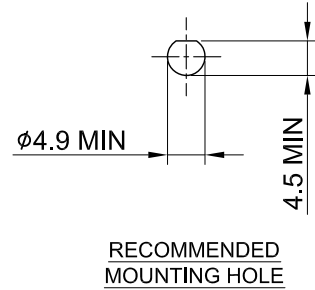


REV	DESCRIPTION	DATE
1.20	NEW DRAWING FRAME	2023/07/28
1.21	CORRECT INSULATION RESISTANCE UNIT	2024/03/18



MECHANICAL DATA
TEMPERATURE RANGE : -65°C ~ + 165°C

ELECTRICAL DATA
FREQUENCY RANGE: DC~4GHZ
IMPEDANCE : 50Ω
VSWR : 1.3 MAX.
INSULATION RESISTANCE : 5000 MΩ MIN

05	WASHER	BRASS	GOLD	1
04	NUT	BRASS	GOLD	1
03	PIN	BRASS	GOLD	1
02	INSULATOR	TEFLON	NONE	1
01	BODY	BRASS	GOLD	1
NO	DESCRIPTION	MATERIAL	FINISH	Q'TY

TITLE		DRAWN BY:		CHK'D BY:		REV.	
SMB(F) st. front mount bulkhead, solder cup		Kelly	2024/03/18	Una	2024/03/18	1.21	
DWG NO. C04AK3113		CUST. P/N: N/A DWG NO: N/A		GENERAL TOLERANCES .X ±0.2 .XX ±0.2 .XXX ±0.2 ANGLES N/A		DA2401290021	
SHEET	1 of 1	Unit:	mm				

