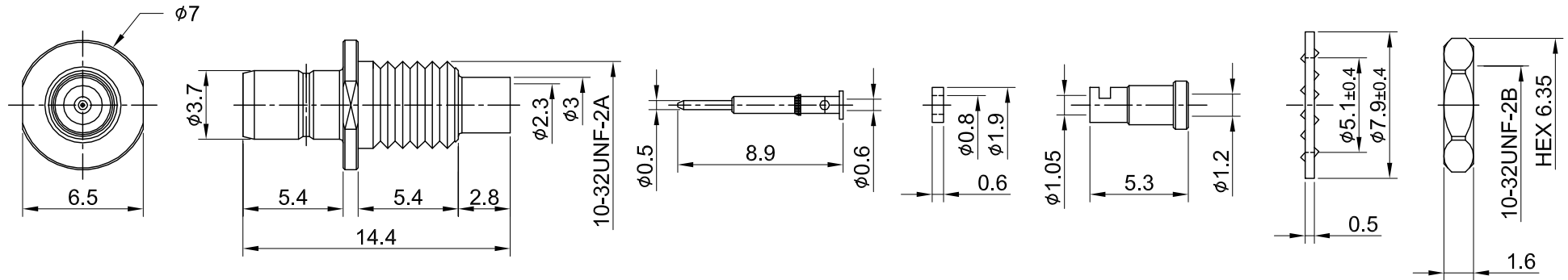
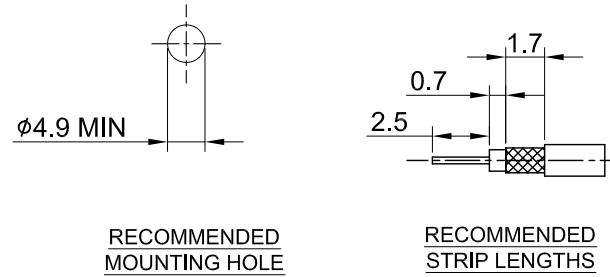


REV	DESCRIPTION	DATE
1.20	NEW DRAWING FRAME	2023/08/02
1.30	CORRECT INSULATION RESISTANCE	2023/11/08



MECHANICAL DATA  
 TEMPERATURE RANGE : -65°C ~ + 165°C

DIELECTRICAL DATA  
 FREQUENCY RANGE: DC~4GHZ  
 IMPEDANCE : 50Ω  
 VSWR : 1.3 MAX.  
 WORKING VOLTAGE : AC 335V  
 WITHSTANDING VOLTAGE : AC 750V  
 INSULATION RESISTANCE : 1000 MΩ MIN

07	NUT	BRASS	GOLD	1
06	WASHER	BRASS	GOLD	1
05	FERRULE	BRASS	GOLD	1
04	GASKET	TEFLON	NONE	1
03	CENTER PIN	BRASS	GOLD	1
02	INSULATOR	TEFLON	NONE	1
01	BODY	BRASS	GOLD	1
NO	DESCRIPTION	MATERIAL	FINISH	Q'TY

TITLE		DRAWN BY:		DATE
SMB(F) st .bh. for 1.13mm, front mount		Lottie	2023/11/08	
DWG NO. C04AL3F113013A		CHK'D BY:	Kana	2023/11/08
CUST. P/N: N/A DWG NO: N/A				REV. 1.30
SHEET 1 of 1	Unit: mm	GENERAL TOLERANCES .X ±0.2 .XX ±0.2 .XXX ±0.2 ANGLES N/A		DA2311060007

