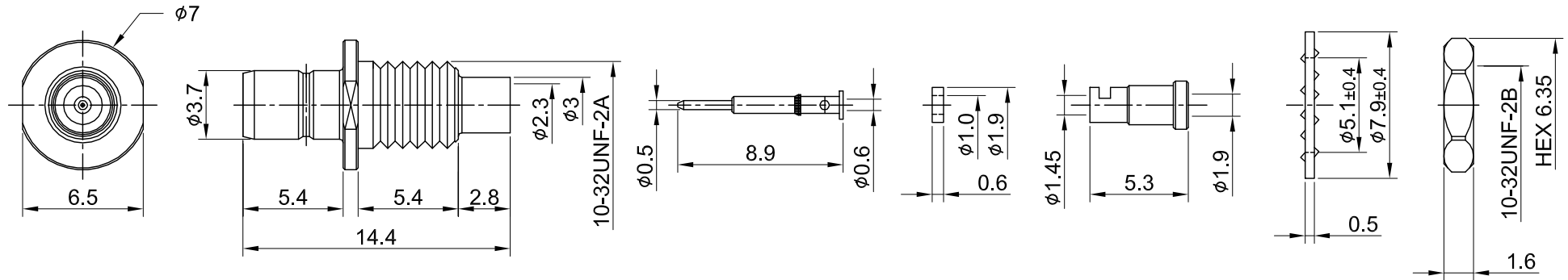
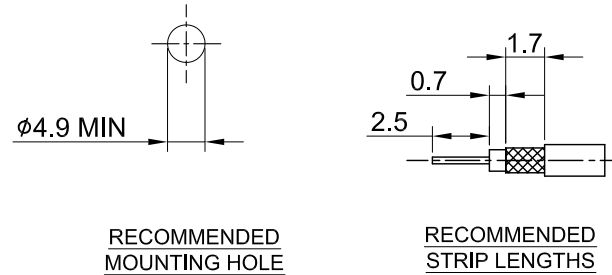


REV	DESCRIPTION	DATE
1.10	NEW DRAWING FRAME	2023/06/07
1.11	UPDATE WITHSTANDING VOLTAGE	2023/08/02
1.20	CORRECT INSULATION RESISTANCE	2023/11/08



MECHANICAL DATA
TEMPERATURE RANGE : -65°C ~ + 165°C

DIELECTRICAL DATA
FREQUENCY RANGE: DC~4GHz
IMPEDANCE : 50Ω
VSWR : 1.3 MAX.
WORKING VOLTAGE : AC 335V
WITHSTANDING VOLTAGE : AC 750V
INSULATION RESISTANCE : 1000 MΩ MIN

07	NUT	BRASS	GOLD	1
06	WASHER	BRASS	GOLD	1
05	FERRULE	BRASS	GOLD	1
04	GASKET	TEFLON	NONE	1
03	CENTER PIN	BRASS	GOLD	1
02	INSULATOR	TEFLON	NONE	1
01	BODY	BRASS	GOLD	1
NO	DESCRIPTION	MATERIAL	FINISH	Q'TY

TITLE		DRAWN BY:		CHK'D BY:		REV.	
SMB(F) bh. front mount for RG178		Lottie	2023/11/08	Kana	2023/11/08	1.20	
DWG NO. C04AL3F178013A		GENERAL TOLERANCES		DA2311060010			
CUST. P/N: N/A DWG NO: N/A		.X ±0.2	.XX ±0.2	.XXX ±0.2	ANGLES N/A		
SHEET 1 of 1	Unit: mm						

