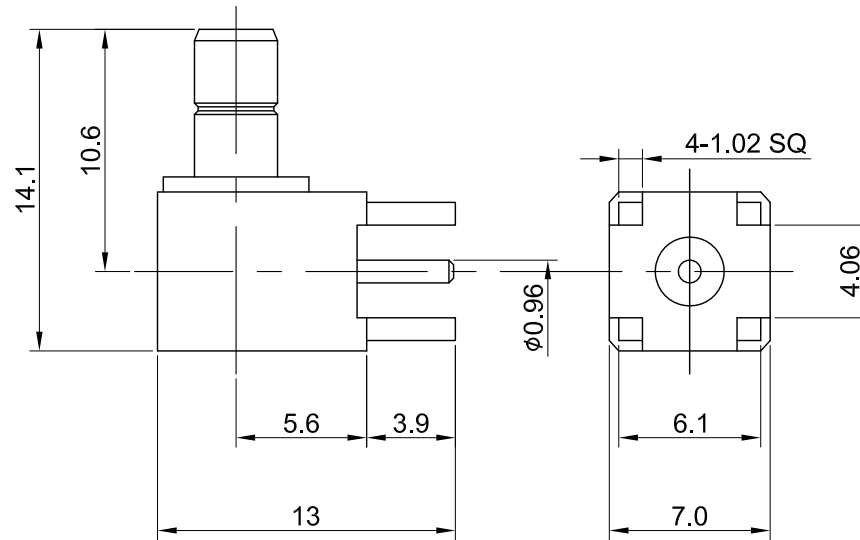
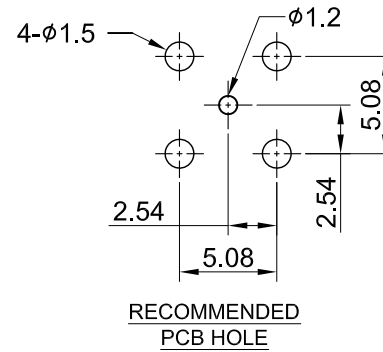


REV	DESCRIPTION	DATE
1.10	NEW DRAWING FRAME	2023/07/31
1.11	CORRECT INSULATION RESISTANCE UNIT	2024/03/18



MECHANICAL DATA
TEMPERATURE RANGE : -65°C ~ + 165°C

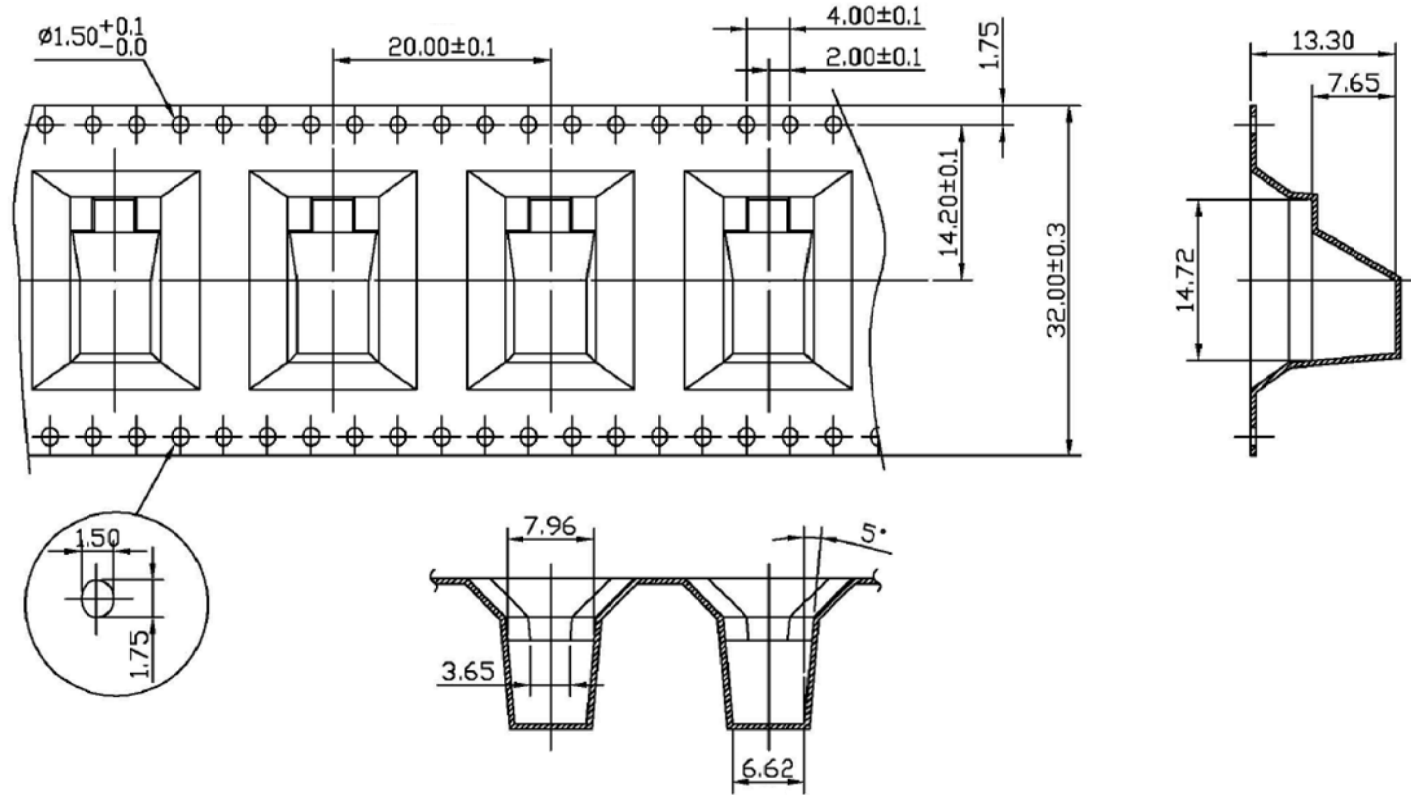
ELECTRICAL DATA
FREQUENCY RANGE: DC~4GHz
IMPEDANCE : 50Ω
VSWR : 1.5 MAX.
INSULATION RESISTANCE : 5000 MΩ MIN

04	CENTER PIN	BRASS	GOLD	1
03	INSULATOR B	TEFLON	NONE	1
02	INSULATOR A	TEFLON	NONE	1
01	BODY	BRASS	GOLD	1
NO	DESCRIPTION	MATERIAL	FINISH	Q'TY


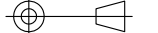
TITLE		DRAWN BY: Kelly		2023/07/31	
SMB RA Jack, PCB type, Leg L:3.9mm tape & reel packing		CHK'D BY: Una		2023/07/31	
DWG NO. C04BN31P00102-1		REVISION		REV. 1.11	
CUST. P/N: N/A		GENERAL TOLERANCES		DA2401290023	
DWG NO: N/A		.X ±0.2		Unit: mm	
SHEET 1 of 2		.XX ±0.2			
		.XXX ±0.2			
		ANGLES N/A			



REV	DESCRIPTION	DATE
1.10	NEW DRAWING FRAME	2023/07/31
1.11	CORRECT INSULATION RESISTANCE UNIT	2024/03/18



NOTE:
 (1) PACKING LENGTH PER 22" REEL : 15 METERS (1:2) .
 (2) COMPONENT LOAD PER 15" REEL : 330 PCS .

TITLE		SMB RA Jack, PCB type, Leg L:3.9mm tape & reel packing	
DWG NO. C04BN31P00102-1			
CUST. P/N: N/A DWG NO: N/A		GENERAL TOLERANCES	DRAWN BY: Kelly
		.X ±0.2 .XX ±0.2 .XXX ±0.2 ANGLES N/A	CHK'D BY: Una 2023/07/31
SHEET 2 of 2	Unit: mm		REV. 1.11
		DA2401290023	