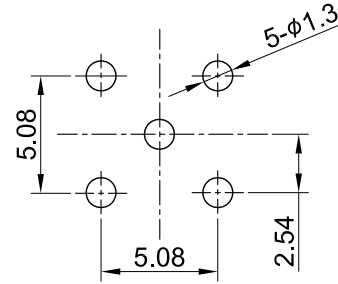
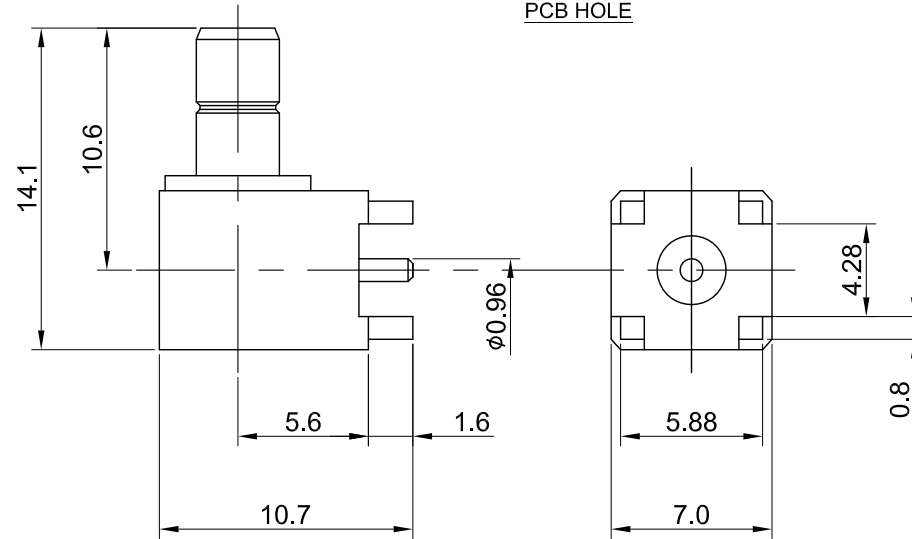


REV	DESCRIPTION	DATE
1.10	NEW DRAWING FRAME	2023/07/31
1.11	CORRECT INSULATION RESISTANCE UNIT	2024/03/18



RECOMMENDED
PCB HOLE



MECHANICAL DATA
TEMPERATURE RANGE : -65°C ~ + 165°C

ELECTRICAL DATA
FREQUENCY RANGE: DC~4GHz
IMPEDANCE : 50Ω
VSWR : 1.5 MAX.
INSULATION RESISTANCE : 5000 MΩ MIN

04	INSULATOR B	TEFLON	NONE	1
03	INSULATOR A	TEFLON	NONE	1
02	PIN	BRASS	GOLD	1
01	BODY	BRASS	GOLD	1
NO	DESCRIPTION	MATERIAL	FINISH	Q'TY

TITLE		DRAWN BY: Kelly		2024/03/18	
SMB RA Jack, PCB type, Leg L:1.6mm		CHK'D BY: Una		2024/03/18	
DWG NO. C04BN31P00302		CUST. P/N: N/A DWG NO: N/A		REV. 1.11	
SHEET 1 of 1		Unit: mm		DA2401290024	



GENERAL TOLERANCES		ANGLES	
.X	±0.2		
.XX	±0.2		
.XXX	±0.2		
	N/A		