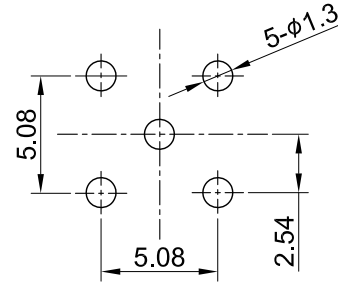
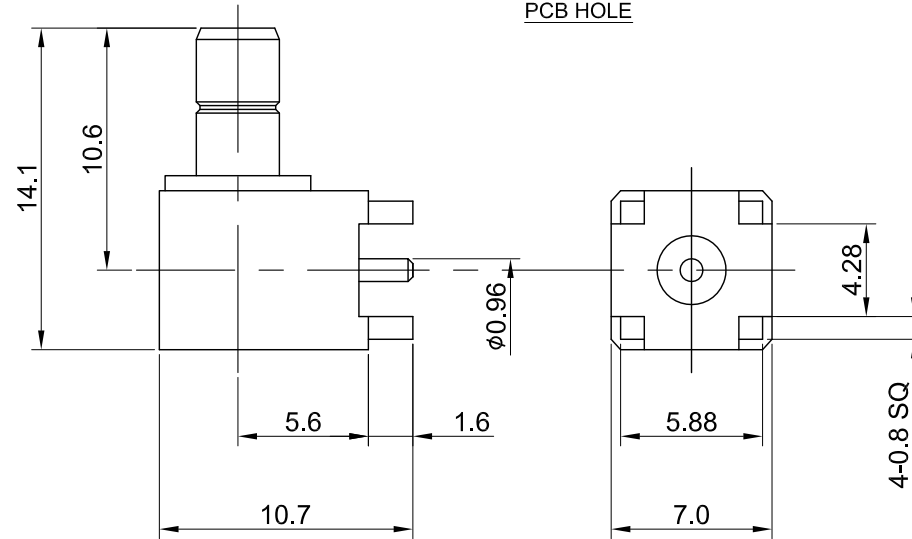


REV	DESCRIPTION	DATE
1.10	NEW DRAWING FRAME	2023/07/31
1.11	CORRECT INSULATION RESISTANCE UNIT	2024/03/18



RECOMMENDED  
PCB HOLE



MECHANICAL DATA  
TEMPERATURE RANGE : -65°C ~ + 165°C

ELECTRICAL DATA  
FREQUENCY RANGE: DC~4GHz  
IMPEDANCE : 50Ω  
VSWR : 1.5 MAX.  
INSULATION RESISTANCE : 5000 MΩ MIN

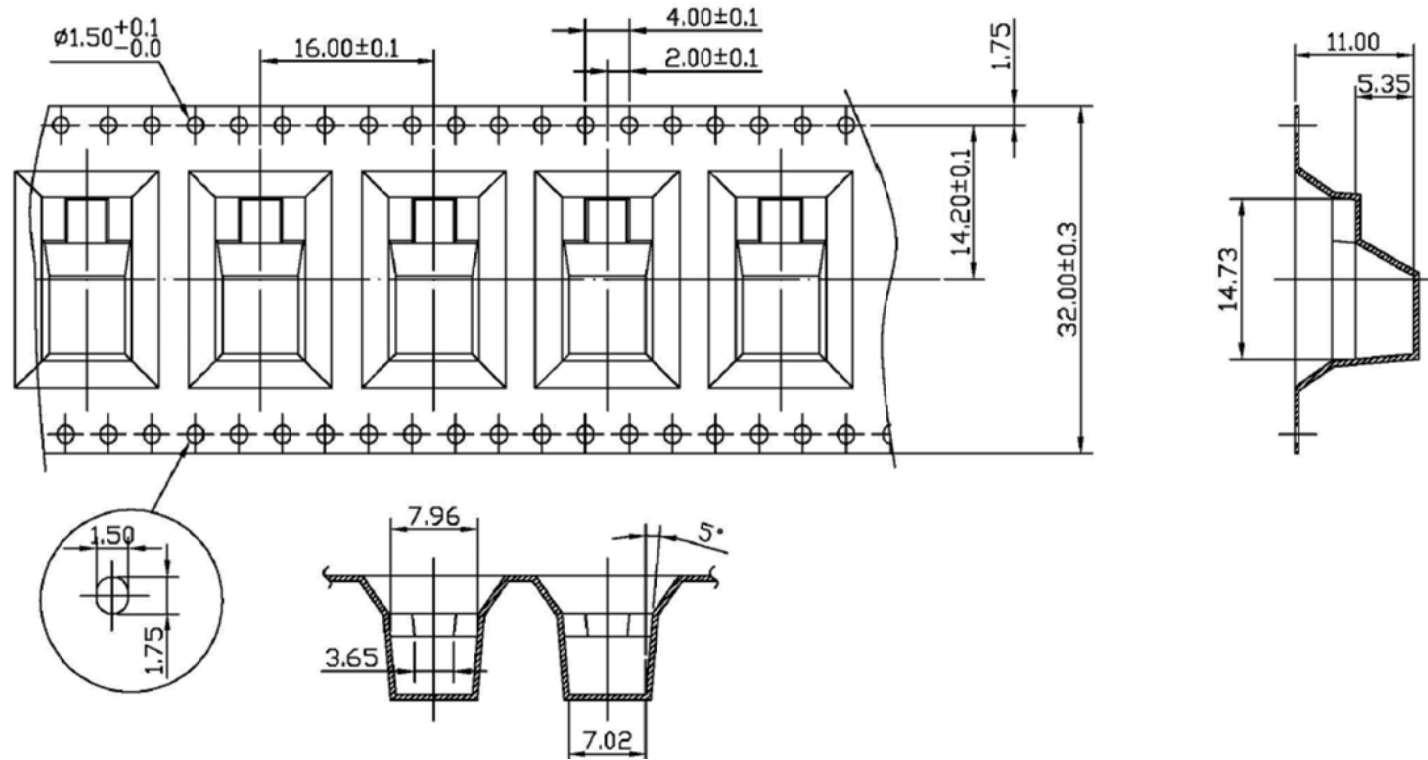
04	INSULATOR B	TEFLON	NONE	1
03	INSULATOR A	TEFLON	NONE	1
02	PIN	BRASS	GOLD	1
01	BODY	BRASS	GOLD	1
NO	DESCRIPTION	MATERIAL	FINISH	Q'TY


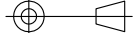
TITLE		DRAWN BY: Kelly		2024/03/18	
SMB RA Jack, PCB type, Leg L:1.6mm tape & reel packing		CHK'D BY: Una		2024/03/18	
DWG NO. C04BN31P00302-1		CUST. P/N: N/A DWG NO: N/A		REV. 1.11	
SHEET 1 of 2		Unit: mm		DA2401290025	



GENERAL TOLERANCES		ANGLES	
.X	±0.2		
.XX	±0.2		
.XXX	±0.2		
	N/A		

REV	DESCRIPTION	DATE
1.10	NEW DRAWING FRAME	2023/07/31
1.11	CORRECT INSULATION RESISTANCE UNIT	2024/03/18



TITLE		SMB RA Jack, PCB type, Leg L:1.6mm tape & reel packing	
DWG NO. C04BN31P00302-1			
CUST. P/N: N/A DWG NO: N/A		GENERAL TOLERANCES	DRAWN BY: Kelly 2024/03/18
		.X ±0.2 .XX ±0.2 .XXX ±0.2 ANGLES N/A	CHK'D BY: Una 2024/03/18
SHEET 2 of 2		Unit: mm	 REV. 1.11
			DA2401290025

Note:  
 (1) PACKING LENGTH PeER 22" REEL : 18 METERS (1:2) .  
 (2) COMPONENT LOAD PER 15" REEL : 500 PCS .