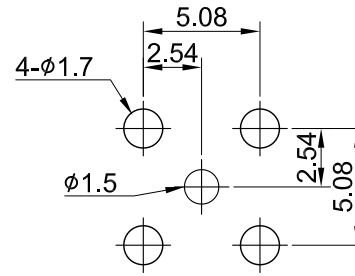
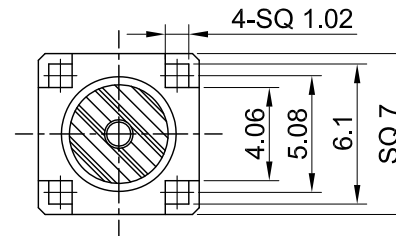
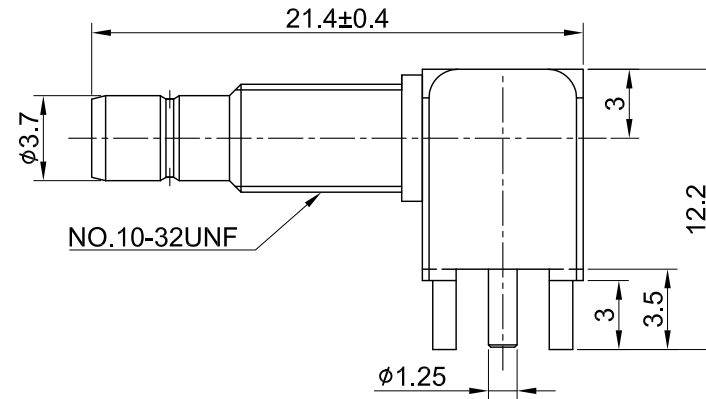
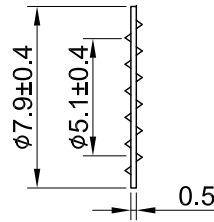
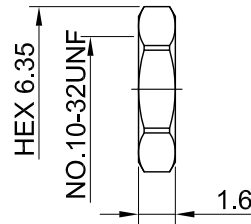


REV	DESCRIPTION	DATE
1.10	ADD PCB LAYOUT	2023/05/26
1.20	UPDATE PCB LAYOUT & ELECTRICAL	2023/08/22



▲ RECOMMENDED PCB LAYOUT



MECHANICAL DATA
TEMPERATURE RANGE : -65°C ~ + 165°C

ELECTRICAL DATA
FREQUENCY RANGE: DC~4GHz
IMPEDANCE : 50Ω
VSWR : 1.5 MAX.
WORKING VOLTAGE : AC 335V
WITHSTANDING VOLTAGE : AC 750V
INSULATION RESISTANCE : 1000 mΩ MIN

07	INSULATOR	TEFLON	NONE	1
06	CENTER PIN	BRASS	GOLD	1
05	BODY B	BRASS	GOLD	1
04	INSULATOR	TEFLON	NONE	1
03	BODY A	BRASS	GOLD	1
02	WASHER	BRASS	GOLD	1
01	NUT	BRASS	GOLD	1
NO	DESCRIPTION	MATERIAL	FINISH	Q'TY

TITLE		DRAWN BY: Kelly		2023/08/22
SMB(F) ra bh. PCB type, 50 ohm		CHK'D BY: Chilli		2023/08/22
DWG NO. C04BO3F17		REV.		1.20
CUST. P/N: N/A DWG NO: N/A		DA2308210034		
SHEET 1 of 1		Unit: mm		



GENERAL TOLERANCES
.X ±0.2
.XX ±0.2
.XXX ±0.2
ANGLES N/A

