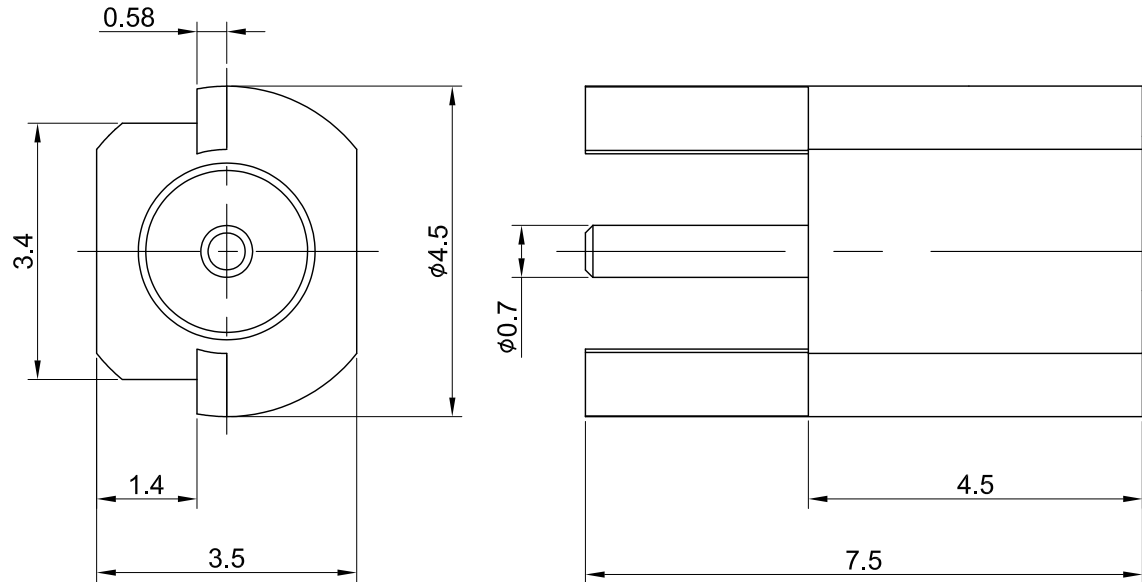

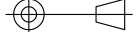


REV	DESCRIPTION	DATE
B	CORRECT C06AJ3KP00409 W. C06AN3KP00409	2011/02/10
1.10	NEW DRAWING FRAME	2024/09/09



MECHANICAL DATA
 DURABILITY : 500 CYCLES
 TEMPERATURE RANGE : -65°C ~ + 165°C

ELECTRICAL DATA
 FREQUENCY RANGE: DC~6GHZ
 IMPEDANCE : 50Ω
 VSWR : 1.3 MAX.
 WORKING VOLTAGE : AC 170V
 WITHSTANDING VOLTAGE : AC 500V
 INSULATION RESISTANCE : 1000 MΩ MIN

TITLE MMCX(F) st. edge mount type		
DWG NO. C06AJ3KP00409		
CUST. P/N: N/A DWG NO: N/A		GENERAL TOLERANCES .X ±0.2 .XX ±0.2 .XXX ±0.2 ANGLES N/A
DRAWN BY: Kelly 2024/09/09 CHK'D BY: Mindy 2024/09/09		 REV. 1.10
SHEET 1 of 1	Unit: mm	DA2409090013

NO	DESCRIPTION	MATERIAL	FINISH	Q'TY
03	CENTER PIN	Be.Cu	GOLD	1
02	INSULATOR	TEFLON	NONE	1
01	BODY	BRASS	GOLD	1