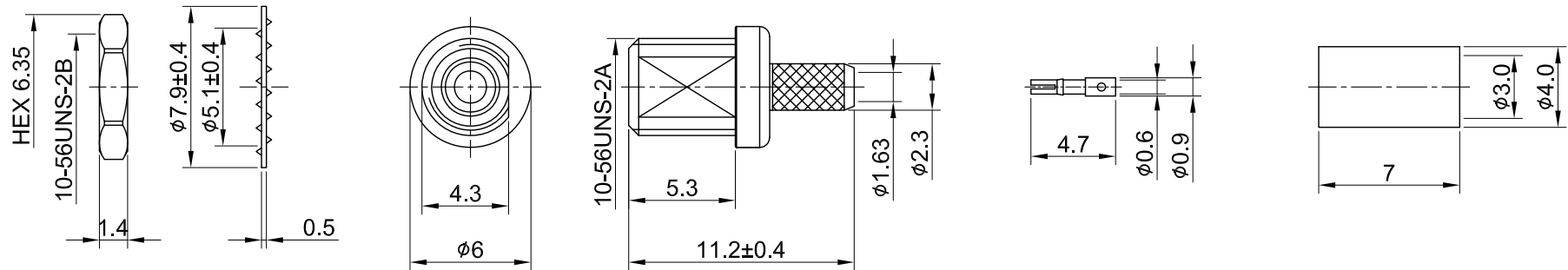
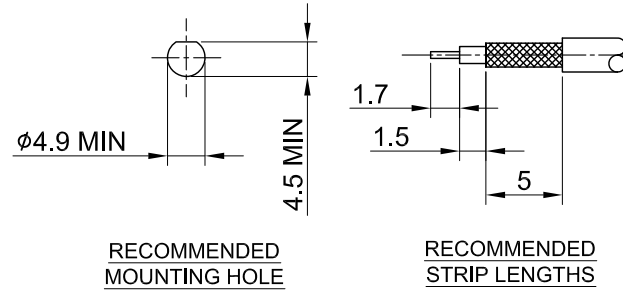


REV	DESCRIPTION	DATE
2.10	NEW DRAWING FRAME	2023/07/31
2.20	CORRECT INSULATION RESISTANCE	2023/11/21



MECHANICAL DATA  
 DURABILITY : 500 CYCLES  
 TEMPERATURE RANGE : -65°C ~ + 165°C

ELECTRICAL DATA  
 FREQUENCY RANGE: DC~6GHz  
 IMPEDANCE : 50Ω  
 VSWR : 1.5 MAX.  
 WORKING VOLTAGE : AC 170V  
 WITHSTANDING VOLTAGE : AC 500V  
 INSULATION RESISTANCE : 1000 MΩ MIN

07	NUT	BRASS	GOLD	1
06	WASHER	BRASS	GOLD	1
05	FERRULE	BRASS	GOLD	1
04	PIN	Be.Cu	GOLD	1
03	BODY B	BRASS	GOLD	1
02	INSULATOR	TEFLON	NONE	1
01	BODY A	BRASS	GOLD	1
NO	DESCRIPTION	MATERIAL	FINISH	Q'TY

TITLE		DRAWN BY:		DATE
MMCX(F) bh. crimp type for RG174		Lottie		2023/11/21
DWG NO. C06AB3F174007B		CHK'D BY:		DATE
CUST. P/N: N/A DWG NO: N/A		Kana		2023/11/21
SHEET 1 of 1		Unit: mm		REV. 2.20
		DA2311160033		



GENERAL TOLERANCES  
 .X ±0.2  
 .XX ±0.2  
 .XXX ±0.2  
 ANGLES N/A

