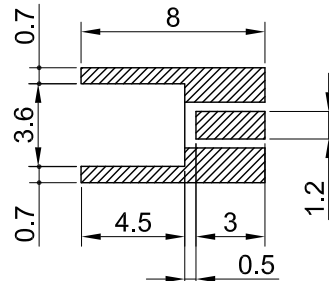
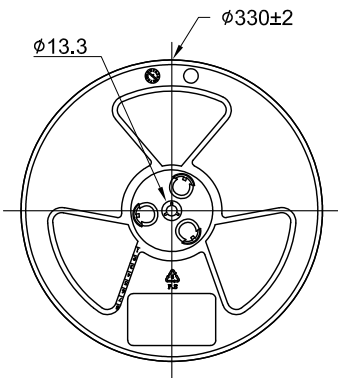
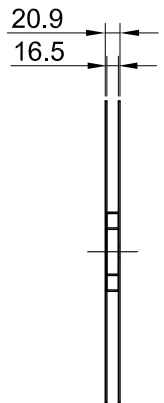
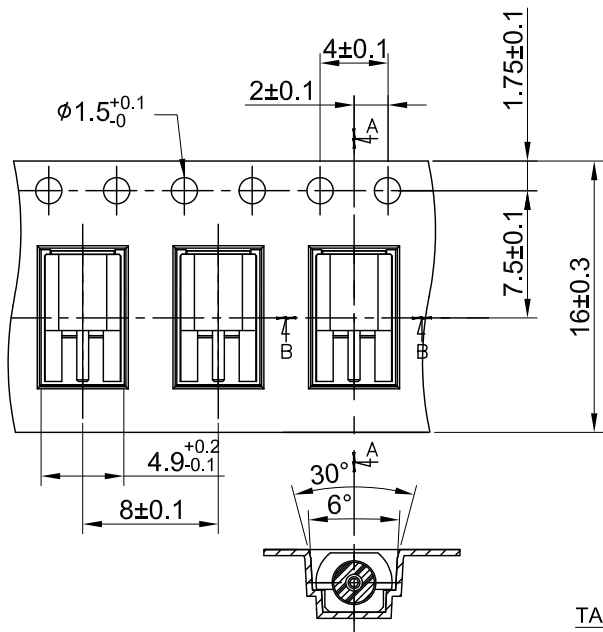


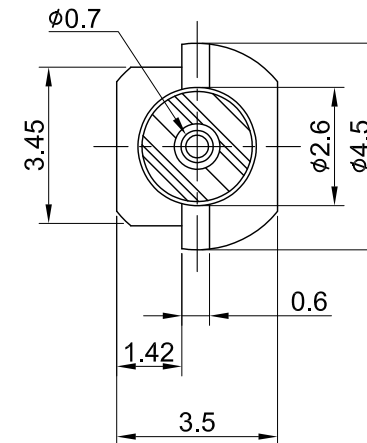
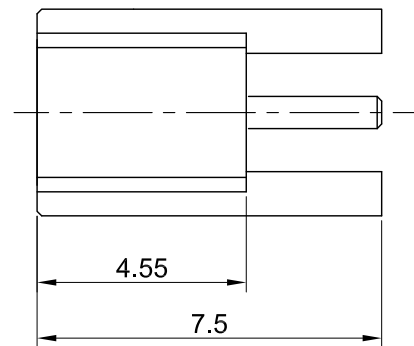
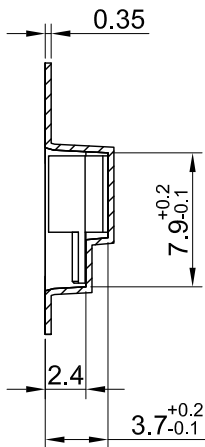
REV	DESCRIPTION	DATE
1.10	NEW DRAWING FRAME	2023/08/18
1.20	CORRECT INSULATION RESISTANCE	2023/11/21
2.00	CHG TAPE DETAIL	2024/09/05



RECOMMENDED PCB LAYOUT



TAPE DETAIL



MECHANICAL DATA  
 DURABILITY : 500 CYCLES  
 TEMPERATURE RANGE : -65°C ~ + 165°C

ELECTRICAL DATA  
 FREQUENCY RANGE: DC~6GHZ  
 IMPEDANCE : 50Ω  
 VSWR : 1.3 MAX.  
 WORKING VOLTAGE : AC 170V  
 WITHSTANDING VOLTAGE : AC 500V  
 INSULATION RESISTANCE : 1000 MΩ MIN

03	CENTER PIN	Be.Cu	GOLD	1
02	INSULATOR	TEFLON	NONE	1
01	BODY	BRASS	GOLD	1
NO	DESCRIPTION	MATERIAL	FINISH	Q'TY

TITLE		Wellshow	
MMCX(F)st.edge mount tape & reel			
DWG NO. C06AN3F09A		DRAWN BY: Kelly 2024/09/05	
CUST. P/N: N/A		CHK'D BY: Una 2024/09/05	
DWG NO: N/A		REV. 2.00	
SHEET 1 of 1 Unit: mm		DA2409050002	



Wellshow

GENERAL TOLERANCES	
.X	±0.2
.XX	±0.2
.XXX	±0.2
ANGLES	N/A