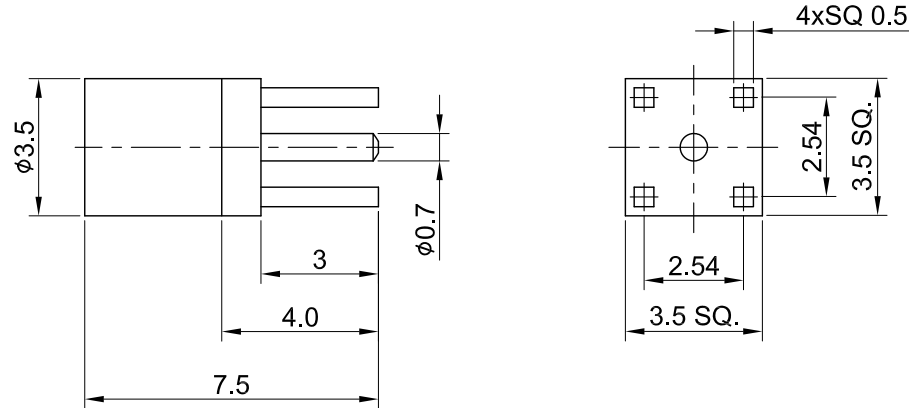
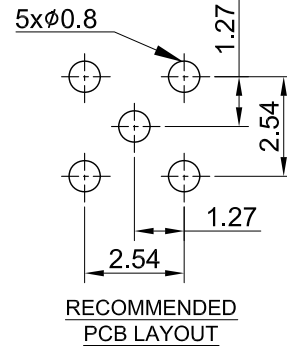



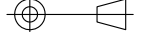
REV	DESCRIPTION	DATE
1.10	NEW DRAWING FRAME	2023/07/26
1.20	UPDATE ELECTRICAL DATA	2023/09/13



MECHANICAL DATA
 DURABILITY : 500 CYCLES
 TEMPERATURE RANGE : -65°C ~ + 165°C

ELECTRICAL DATA
 FREQUENCY RANGE: DC~6GHz
 IMPEDANCE : 50 Ω
 VSWR : 1.3 MAX.
 WORKING VOLTAGE : AC 170V
 WITHSTANDING VOLTAGE : AC 500V
 INSULATION RESISTANCE : 1000 m Ω MIN

03	PIN	Be.Cu	GOLD	1
02	INSULATOR	PTFE	NONE	1
01	BODY	BRASS	GOLD	1
NO	DESCRIPTION	MATERIAL	FINISH	Q'TY

TITLE		DRAWN BY: Kelly		2023/09/13	
MMCX(F) st. PCB type, Leg length 3.0mm		CHK'D BY: Eileen		2023/09/13	
DWG NO. C06AN3KP00402		GENERAL TOLERANCES			
CUST. P/N: N/A DWG NO: N/A		.X \pm 0.2 .XX \pm 0.2 .XXX \pm 0.2 ANGLES N/A		 REV. 1.20	
SHEET 1 of 1	Unit: mm	DA2309130005			