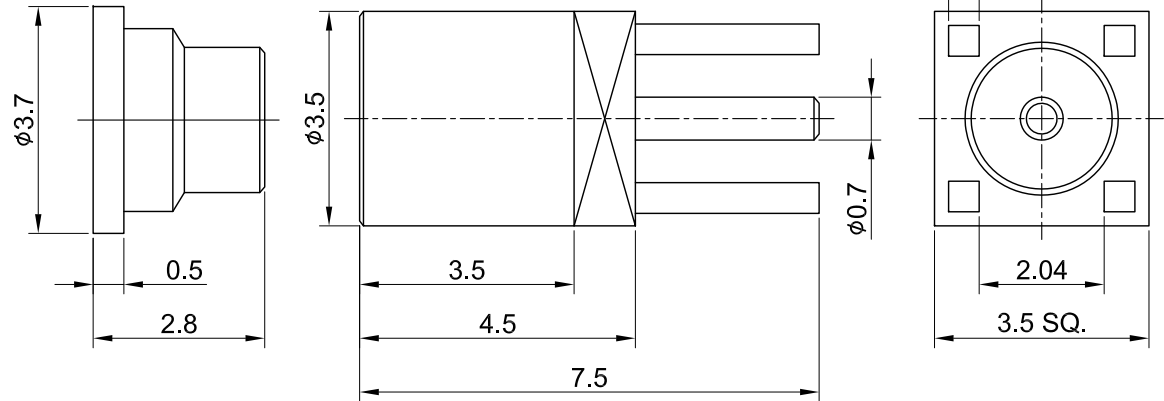
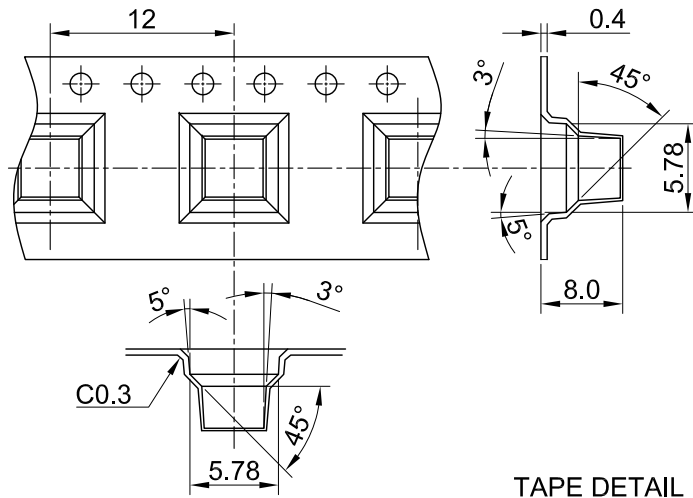
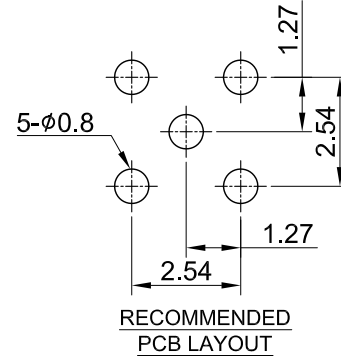
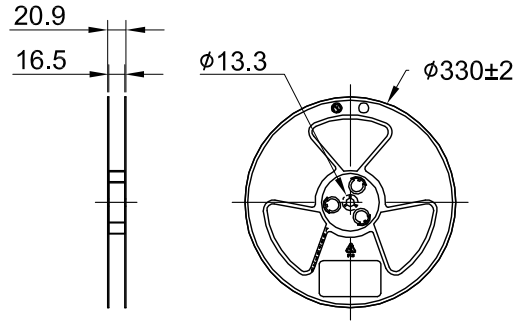


REV	DESCRIPTION	DATE
1.20	NEW DRAWING FRAME	2023/09/13



MECHANICAL DATA
 DURABILITY : 500 CYCLES
 TEMPERATURE RANGE : -65°C ~ + 165°C

ELECTRICAL DATA
 FREQUENCY RANGE: DC~6GHz
 IMPEDANCE : 50Ω
 VSWR : 1.3 MAX.
 WORKING VOLTAGE : AC 170V
 WITHSTANDING VOLTAGE : AC 500V
 INSULATION RESISTANCE : 1000 mΩ MIN

NOTE
 SPQ = 700 PCS/REEL TAPE

04	CAP	PTFE	NONE	1
03	CENTER PIN	Be.Cu	GOLD	1
02	INSULATOR	PTFE	NONE	1
01	BODY	BRASS	GOLD	1
NO	DESCRIPTION	MATERIAL	FINISH	Q'TY

TITLE		DRAWN BY: Kelly		2023/09/13
MMCX(F) st. PCB type, Leg length 3.0mm with cap in tape/reel		CHK'D BY: Eileen		2023/09/13
DWG NO. C06AN3KP00402B-1		REVISION		REV. 1.20
CUST. P/N: N/A DWG NO: N/A		DA2309130006		
SHEET 1 of 1		Unit: mm		



GENERAL TOLERANCES	
.X	±0.2
.XX	±0.2
.XXX	±0.2
ANGLES	N/A