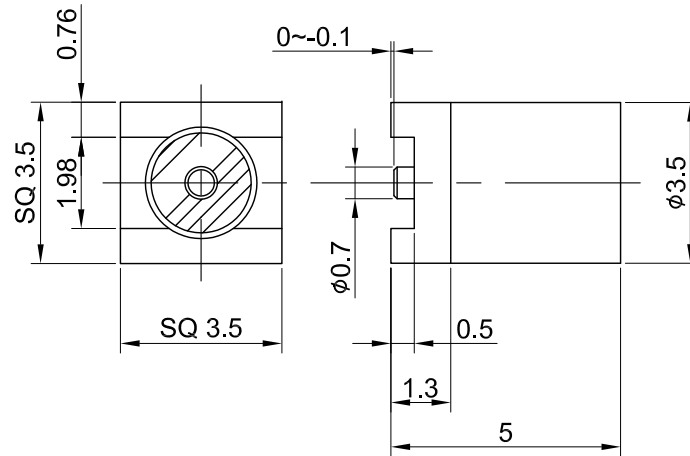
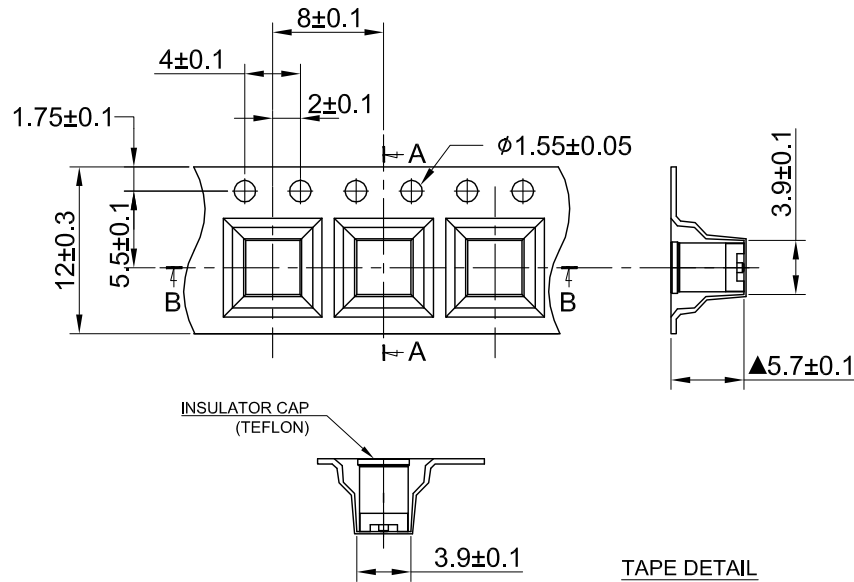
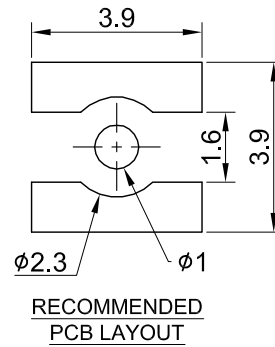
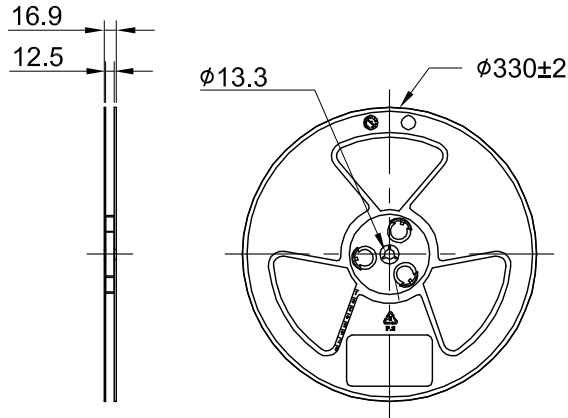


REV	DESCRIPTION	DATE
3.40	CHG 5.7±0.1 W. 5.25	2023/08/01



MECHANICAL DATA
 DURABILITY : 500 CYCLES
 TEMPERATURE RANGE : -65°C ~ + 165°C

ELECTRICAL DATA
 FREQUENCY RANGE: DC~6GHz
 IMPEDANCE : 50Ω
 VSWR : 1.3 MAX.
 WORKING VOLTAGE : AC 170V
 WITHSTANDING VOLTAGE : AC 500V
 INSULATION RESISTANCE : 1000 mΩ MIN

NOTE
 SPQ = 1500 PCS/REEL TAPE

03	CENTER PIN	Be.Cu	GOLD	1
02	INSULATOR	TEFLON	NONE	1
01	BODY	BRASS	GOLD	1
NO	DESCRIPTION	MATERIAL	FINISH	Q'TY

TITLE
 MMCX(F) st. SMT type, w/Teflon Cap and Reel tape packing

DWG NO.
 C06AN30P00711A



CUST.
 P/N: N/A
 DWG NO: N/A

GENERAL TOLERANCES	DRAWN BY:	DATE
.X ±0.2	Kelly	2023/08/01
.XX ±0.2	CHK'D BY: Eileen	2023/08/01
.XXX ±0.2		
ANGLES N/A		

SHEET 1 of 1 Unit: mm

REV.
 DA2307310014 3.40