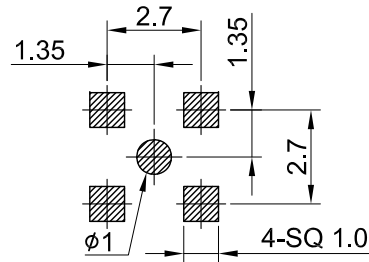
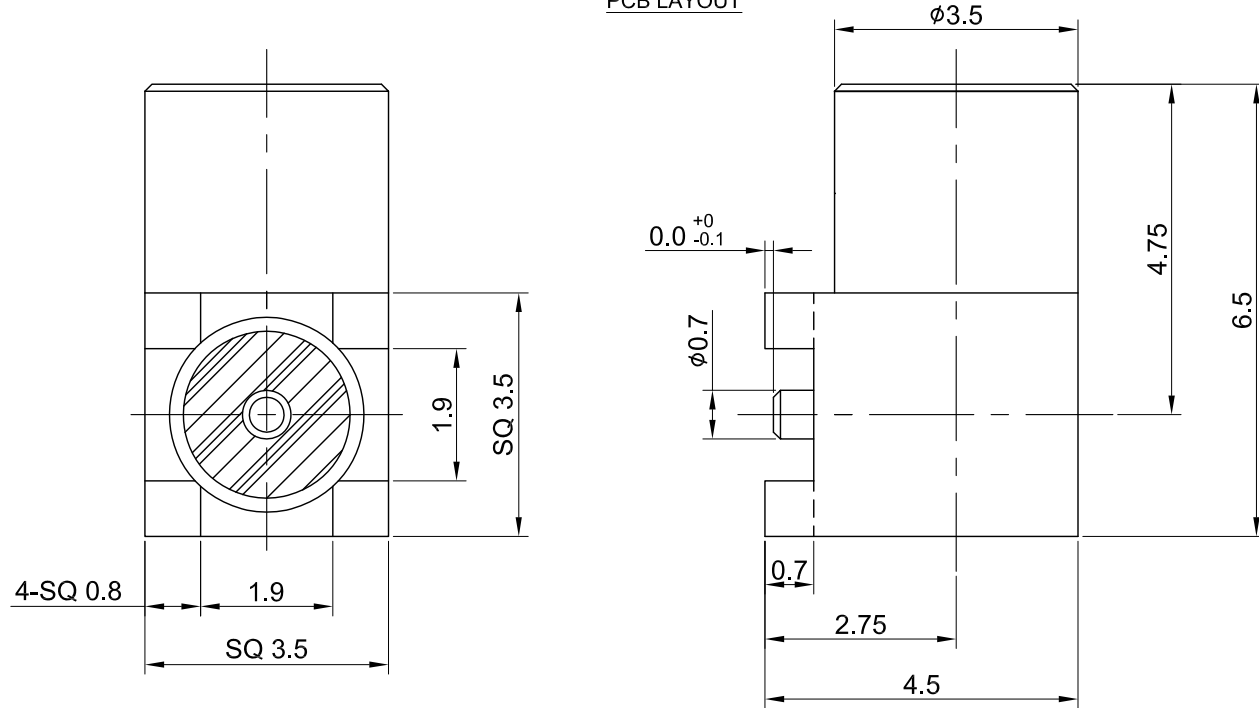


REV	DESCRIPTION	DATE
1.20	NEW DRAWING FRAME	2023/08/18
1.30	CORRECT INSULATION RESISTANCE	2023/11/15




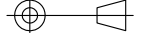
RECOMMENDED
PCB LAYOUT



MECHANICAL DATA
DURABILITY : 500 CYCLES
TEMPERATURE RANGE : -65°C ~ + 165°C

ELECTRICAL DATA
FREQUENCY RANGE: DC~6GHz
IMPEDANCE : 50Ω
VSWR : 1.3 MAX.
WORKING VOLTAGE : AC 170V
WITHSTANDING VOLTAGE : AC 500V
INSULATION RESISTANCE : 1000 MΩ MIN

04	INSULATOR B	TEFLON	NONE	1
03	CENTER PIN	Be.Cu	GOLD	1
02	INSULATOR A	TEFLON	NONE	1
01	BODY	BRASS	GOLD	1
NO	DESCRIPTION	MATERIAL	FINISH	Q'TY

TITLE		DRAWN BY:	
MMCX (F) ra. SMT type, Leg=0.7mm		Lottie	2023/11/15
DWG NO.		CHK'D BY:	
C06BN3F19		Dora	2023/11/15
CUST. P/N: N/A			
DWG NO: N/A			
SHEET 1 of 1			
Unit: mm		REV. 1.30	
		DA2311090012	

GENERAL TOLERANCES	
.X	±0.2
.XX	±0.2
.XXX	±0.2
ANGLES	N/A