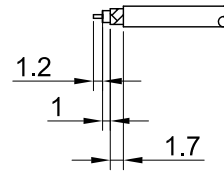
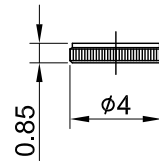
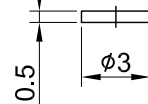
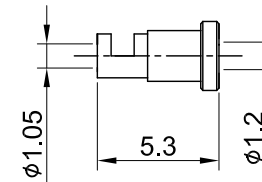
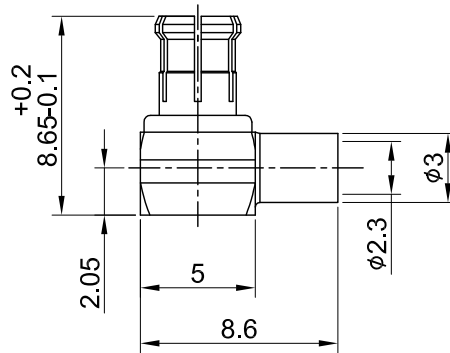
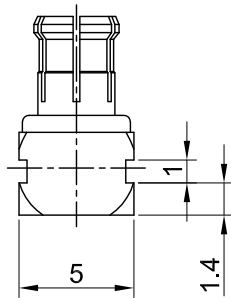


REV	DESCRIPTION	DATE
3.60	NEW DRAWING FRAME	2023/09/08
3.61	CORRECT INSULATION RESISTANCE	2024/04/12



RECOMMENDED STRIP LENGTHS



MECHANICAL DATA  
TEMPERATURE RANGE : -40°C ~ + 85°C

ELECTRICAL DATA  
FREQUENCY RANGE: DC~6GHZ  
IMPEDANCE : 50Ω  
VSWR : 1.3 MAX.  
WORKING VOLTAGE : AC 335V  
WITHSTANDING VOLTAGE : AC 500V  
INSULATION RESISTANCE : 1000 MΩ MIN

07	FERRULE	BRASS	GOLD	1
06	INSULATOR	TEFLON	NONE	1
05	BODY B	Be.Cu	GOLD	1
04	CENTER PIN	BRASS	GOLD	1
03	BODY A	BRASS	GOLD	1
02	INSULATOR COVER	POM	NONE	1
01	PRESS COVER	BRASS	GOLD	1
NO	DESCRIPTION	MATERIAL	FINISH	Q'TY

TITLE		DRAWN BY:							
MCX(M) ra. crimp for 1.13/1.13LL		Lottie	2024/04/12						
DWG NO. C07BA31113001A-1		CHK'D BY: Kelly	2024/04/12						
CUST. P/N: N/A DWG NO: N/A		<table border="1"> <tr> <td>GENERAL TOLERANCES</td> <td>ANGLES</td> </tr> <tr> <td>.X ±0.2</td> <td>.XX ±0.2</td> </tr> <tr> <td>.XXX ±0.2</td> <td>N/A</td> </tr> </table>		GENERAL TOLERANCES	ANGLES	.X ±0.2	.XX ±0.2	.XXX ±0.2	N/A
GENERAL TOLERANCES	ANGLES								
.X ±0.2	.XX ±0.2								
.XXX ±0.2	N/A								
SHEET 1 of 1	Unit: mm	DA2401160030	REV. 3.61						

