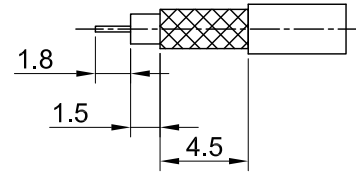
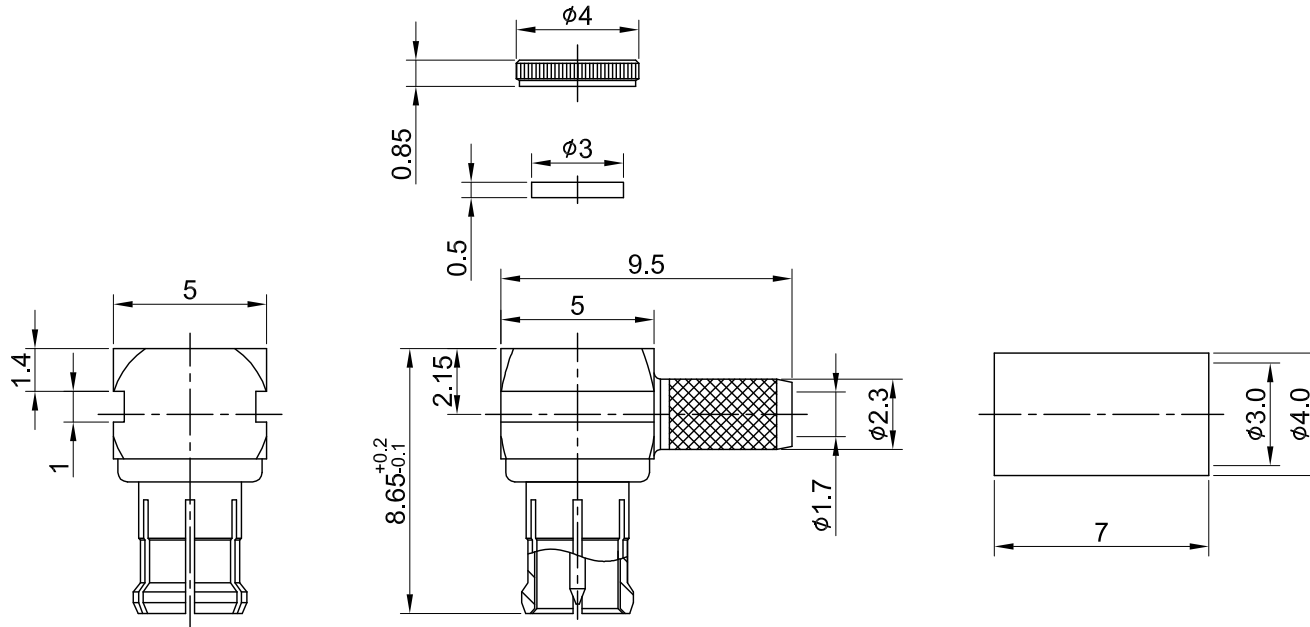


REV	DESCRIPTION	DATE
3.10	NEW DRAWING FRAME	2023/09/08
3.11	CORRECT INSULATION RESISTANCE UNIT	2023/11/08



RECOMMENDED STRIP LENGTHS



MECHANICAL DATA
TEMPERATURE RANGE : -40°C ~ + 85°C

ELECTRICAL DATA
FREQUENCY RANGE: DC~3GHZ
IMPEDANCE : 75Ω
VSWR : 1.3 MAX.
WORKING VOLTAGE : AC 335V
WITHSTANDING VOLTAGE : AC 500V
INSULATION RESISTANCE : 1000 MΩ MIN

07	FERRULE	BRASS	GOLD	1
06	INSULATOR B	TEFLON	NONE	1
05	BODY B	Be.Cu	GOLD	1
04	PIN	BRASS	GOLD	1
03	BODY A	BRASS	GOLD	1
02	INSULATOR A	POM	NONE	1
01	PRESS COVER	BRASS	GOLD	1
NO	DESCRIPTION	MATERIAL	FINISH	Q'TY

TITLE		DRAWN BY:		CHK'D BY:		REV.	
MCX(M)ra. Crimp for RG179 (75 ohm)		Kelly		Eileen		2023/11/08	
DWG NO. C07PA3F179001		DRAWN BY:		CHK'D BY:		REV.	
CUST. P/N: N/A DWG NO: N/A		DRAWN BY:		CHK'D BY:		REV.	
SHEET 1 of 1		Unit: mm		DA2311080016		3.11	



GENERAL TOLERANCES		DRAWN BY:		CHK'D BY:		REV.	
.X	±0.2	Kelly		Eileen		2023/11/08	
.XX	±0.2						
.XXX	±0.2						
ANGLES	N/A						