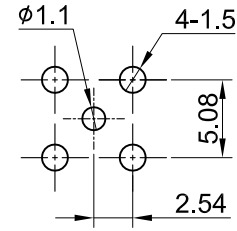
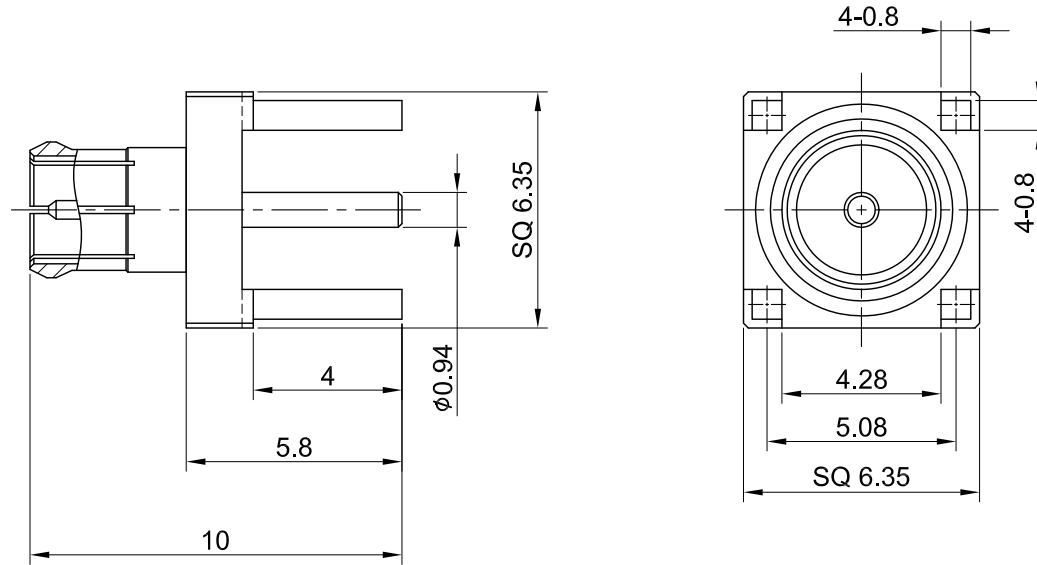


REV	DESCRIPTION	DATE
1.10	NEW DRAWING FRAME	2023/09/08
1.20	CORRECT INSULATION RESISTANCE	2023/11/16



RECOMMENDED
PCB LAYOUT



MECHANICAL DATA
TEMPERATURE RANGE : -65°C ~ + 165°C

ELECTRICAL DATA
FREQUENCY RANGE: DC~3GHz
IMPEDANCE : 75Ω
VSWR : 1.3 MAX.
WORKING VOLTAGE : AC 335V
WITHSTANDING VOLTAGE : AC 500V
INSULATION RESISTANCE : 1000 MΩ MIN

05	PIN	BRASS	GOLD	1
04	WASHER	BRASS	GOLD	1
03	BODY B	BRASS	GOLD	1
02	INSULATOR	TEFLON	NONE	1
01	BODY A	Be.Cu	GOLD	1
NO	DESCRIPTION	MATERIAL	FINISH	Q'TY

TITLE		DRAWN BY:		CHK'D BY:		REVISION	
MCX (M) st FOR PCB ,(75 ohm)		Lottie	2023/11/16	Dora	2023/11/16	REV. 1.20	
DWG NO. C07ON3FP00616		CUST. P/N: N/A		DWG NO: N/A		DA2311140001	
SHEET 1 of 1		Unit: mm		GENERAL TOLERANCES		ANGLES	
				.X ±0.2		.XX ±0.2	
				.XXX ±0.2		N/A	

