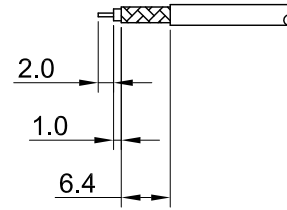
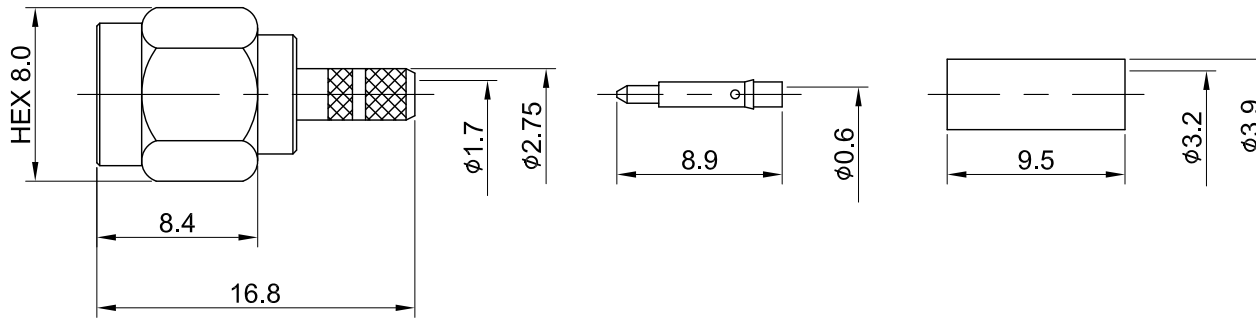


REV	DESCRIPTION	DATE
1.30	NEW DRAWING FRAME	2023/06/28
1.31	CORRECT INSULATION RESISTANCE	2023/12/27



RECOMMENDED STRIP LENGTHS



MECHANICAL DATA
TEMPERATURE RANGE : -65°C ~ + 165°C

ELECTRICAL DATA
FREQUENCY RANGE: DC~6GHz
IMPEDANCE : 50Ω
VSWR : 1.3 MAX.
WORKING VOLTAGE : AC 375V
WITHSTANDING VOLTAGE : AC 750V
INSULATION RESISTANCE : 5000 MΩ MIN

06	FERRULE	BRASS	NICKEL	1
05	INNER RETAINING RING	Be Cu	NONE	1
04	GASKET	SILICONE RUBBER	RED	1
03	INSULATOR	TEFLON	NONE	1
02	PIN	BRASS	GOLD	1
01	BODY	BRASS	NICKEL	1
NO	DESCRIPTION	MATERIAL	FINISH	Q'TY

TITLE			
SMA(M) st. crimp for RG174 (Nickel)			
DWG NO.		C01CA31174004A	
CUST. P/N:		N/A	
DWG NO:		N/A	
SHEET 1 of 1		Unit: mm	
GENERAL TOLERANCES		DRAWN BY: Lottie 2023/12/27	
.X ±0.2		CHK'D BY: Una 2023/12/27	
.XX ±0.2			
.XXX ±0.2			
ANGLES N/A		REV. 1.31	
		DA2312200007	

