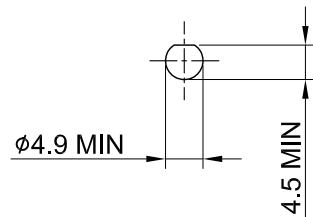
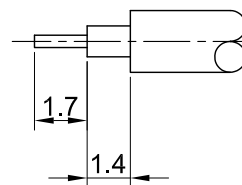


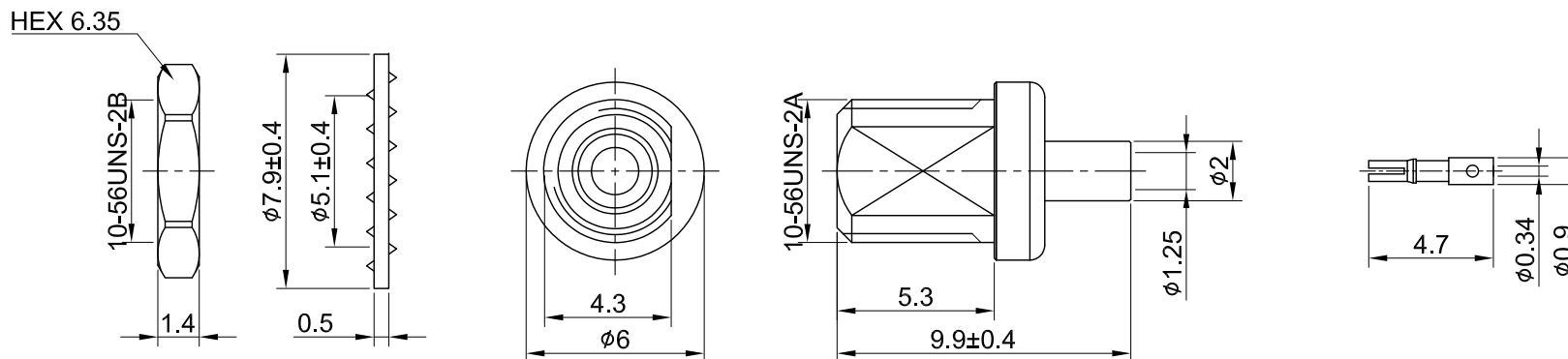
REV	DESCRIPTION	DATE
2.00	CHG 9.9±0.4/φ7.9±0.4/φ5.1±0.4/4.7 W. 9.9/φ7.9/φ5.1/4.2, TAKE OFF INSULATOR B	2012/06/19
2.10	NEW DRAWING FRAME	2024/09/16



RECOMMENDED MOUNTING HOLE



RECOMMENDED STRIP LENGTHS



MECHANICAL DATA  
 DURABILITY : 500 CYCLES  
 TEMPERATURE RANGE : -65°C ~ + 165°C

ELECTRICAL DATA  
 FREQUENCY RANGE: DC~6GHz  
 IMPEDANCE : 50Ω  
 VSWR : 1.5 MAX.  
 WORKING VOLTAGE : AC 170V  
 WITHSTANDING VOLTAGE : AC 500V  
 INSULATION RESISTANCE : 1000 MΩ MIN

06	NUT	BRASS	GOLD	1
05	WASHER	BRASS	GOLD	1
04	BODY B	BRASS	GOLD	1
03	CENTER PIN	Be.Cu	GOLD	1
02	INSULATOR	TEFLON	NONE	1
01	BODY A	BRASS	GOLD	1
NO	DESCRIPTION	MATERIAL	FINISH	Q'TY

TITLE		DRAWN BY:		CHK'D BY:		REVISION	
MMCX(F) bh. solder for .047		Kelly		Mindy		2.10	
DWG NO. C06AB3F047007D		2024/09/16		2024/09/16		DA2409160001	
CUST. P/N: N/A DWG NO: N/A		GENERAL TOLERANCES		ANGLES		Unit: mm	
SHEET 1 of 1		.X ±0.2 .XX ±0.2 .XXX ±0.2		N/A			

